

4x ϕ 18.00 THRU

4x ϕ 38.00 ∇ 14.00

ϕ 622.00

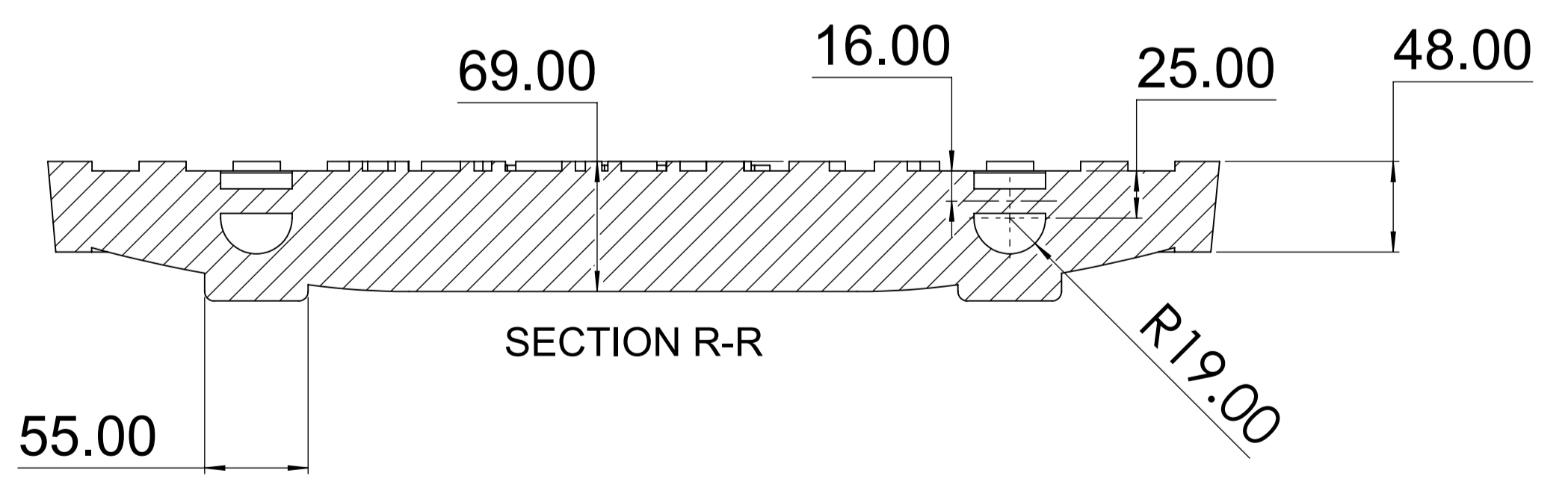
88.00

38.00

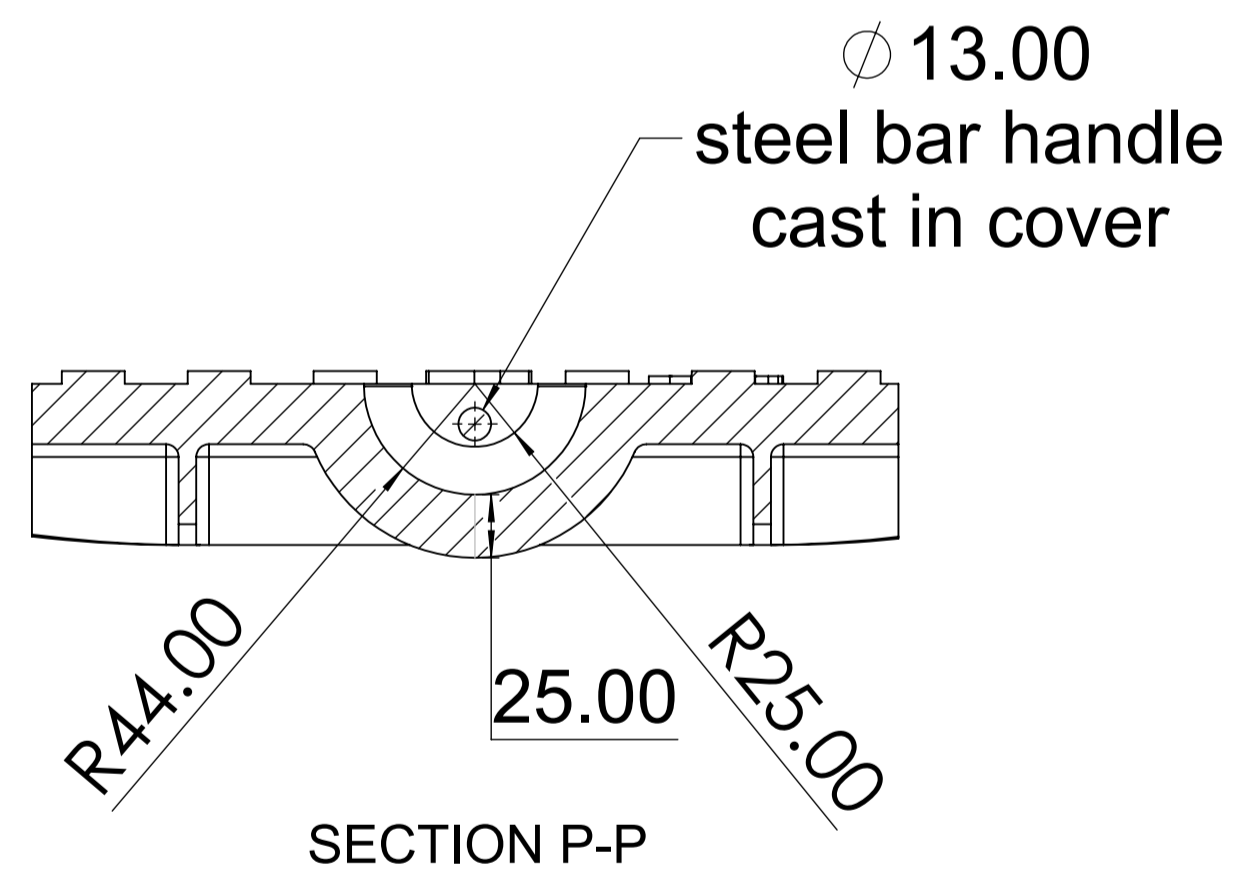
ϕ 575.00

55.00

126.96



SECTION R-R



SECTION P-P

NOTE : KINDLY FOLLOW 3D DATA FOR UNSPECIFIED DIMENSIONS.

<small>UNLESS OTHERWISE SPECIFIED: DIMENSIONS ARE IN MILLIMETERS TOLERANCES: LINEAR: \pm 2 MM ANGULAR: \pm 1° BRK/FILE SHARP CORNER: 1 MM MAX SURFACE FINISH: 20 - 50</small>				<small>THIS DRAWING IS THE PRIVATE PROPERTY OF "ATLANTIC CORPORATION LIMITED" AND CAN NOT BE USED DIRECTLY OR INDIRECTLY WITHOUT THE WRITTEN PERMISSION OF THE COMPANY. ALL LEGAL RIGHTS RESERVED.</small>		ATLANTIC CORPORATION LIMITED	
NAME	SIGNATURE	DATE	HEAT TREATMENT:	PART NAME: CLOSED COVER WATER HOLE	REVISION: A	PART NUMBER: 401.030	
DRAWN	ATLANTIC	22-05-2025	MATERIAL: ASTM-A48 CLASS-30B (CAST IRON)				
CHK'D			PROJECT: 05	SHEET 1 OF 1		SCALE: 1:3	SIZE: A1
APPV'D			WEIGHT:				
MFG							
Q.A							
DO NOT SCALE DRAWING							

REVISIONS

REV.	DATE	DESCRIPTION	EARLIER WAS	CHANGED TO
A	22-05-2025	DRAWING RELEASED	INITIAL RELEASE	INITIAL RELEASE