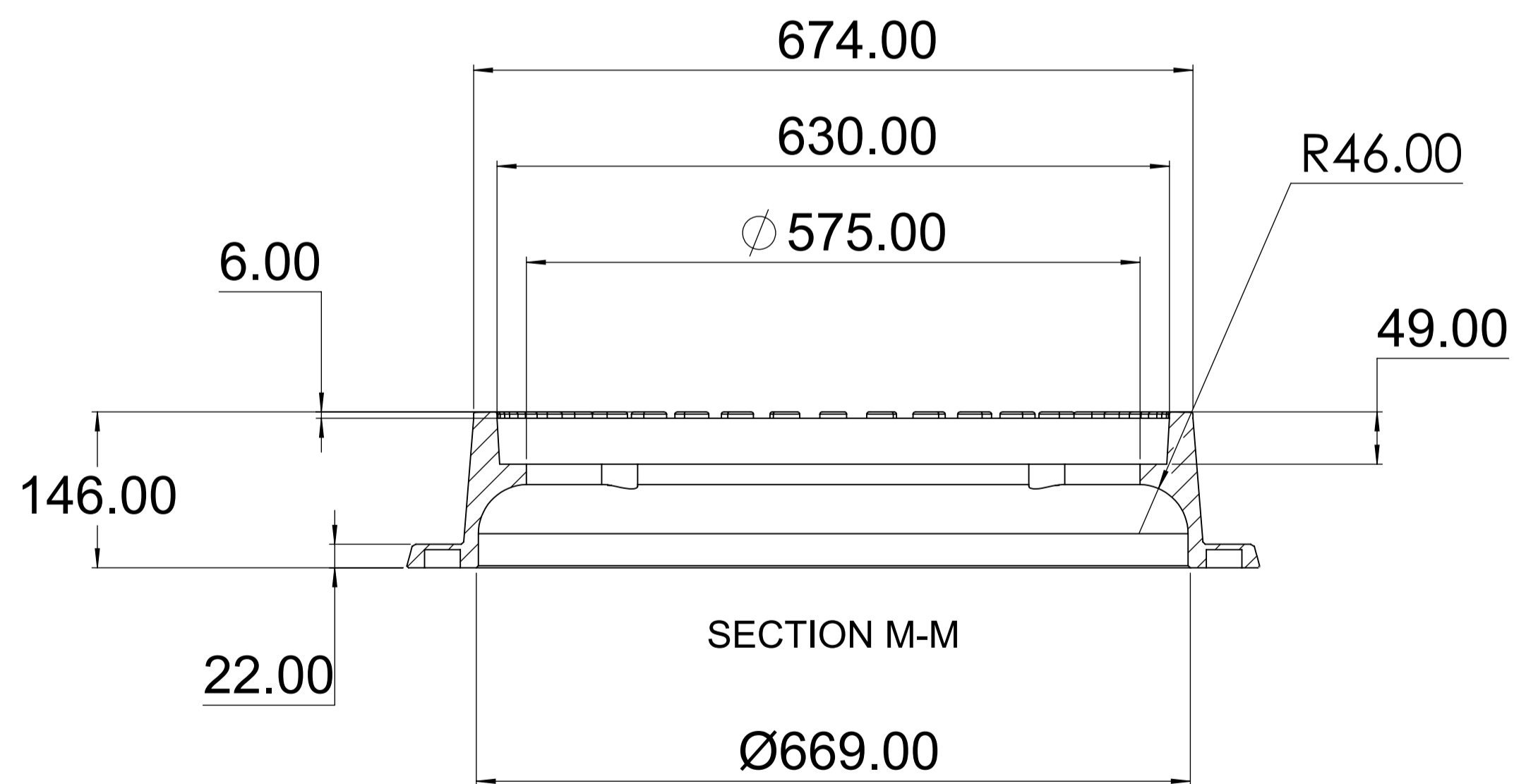
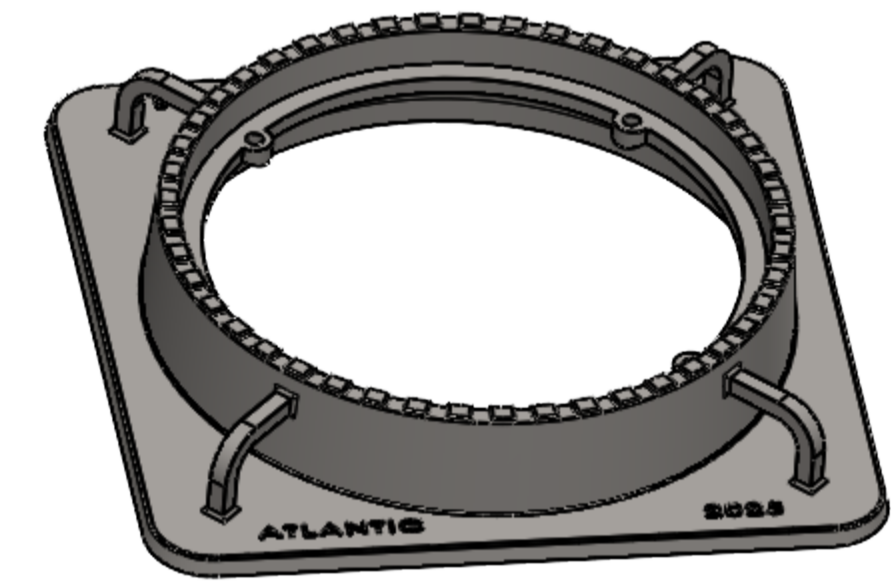
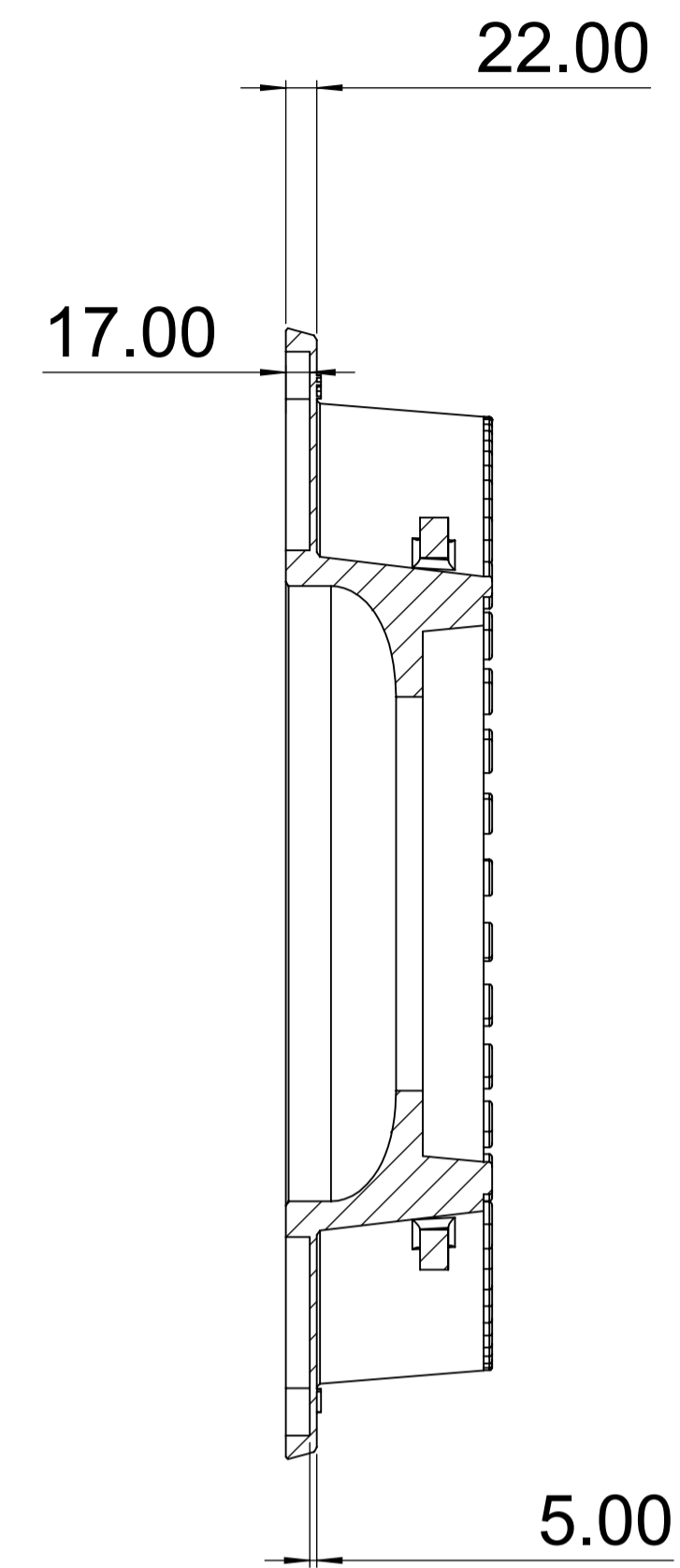
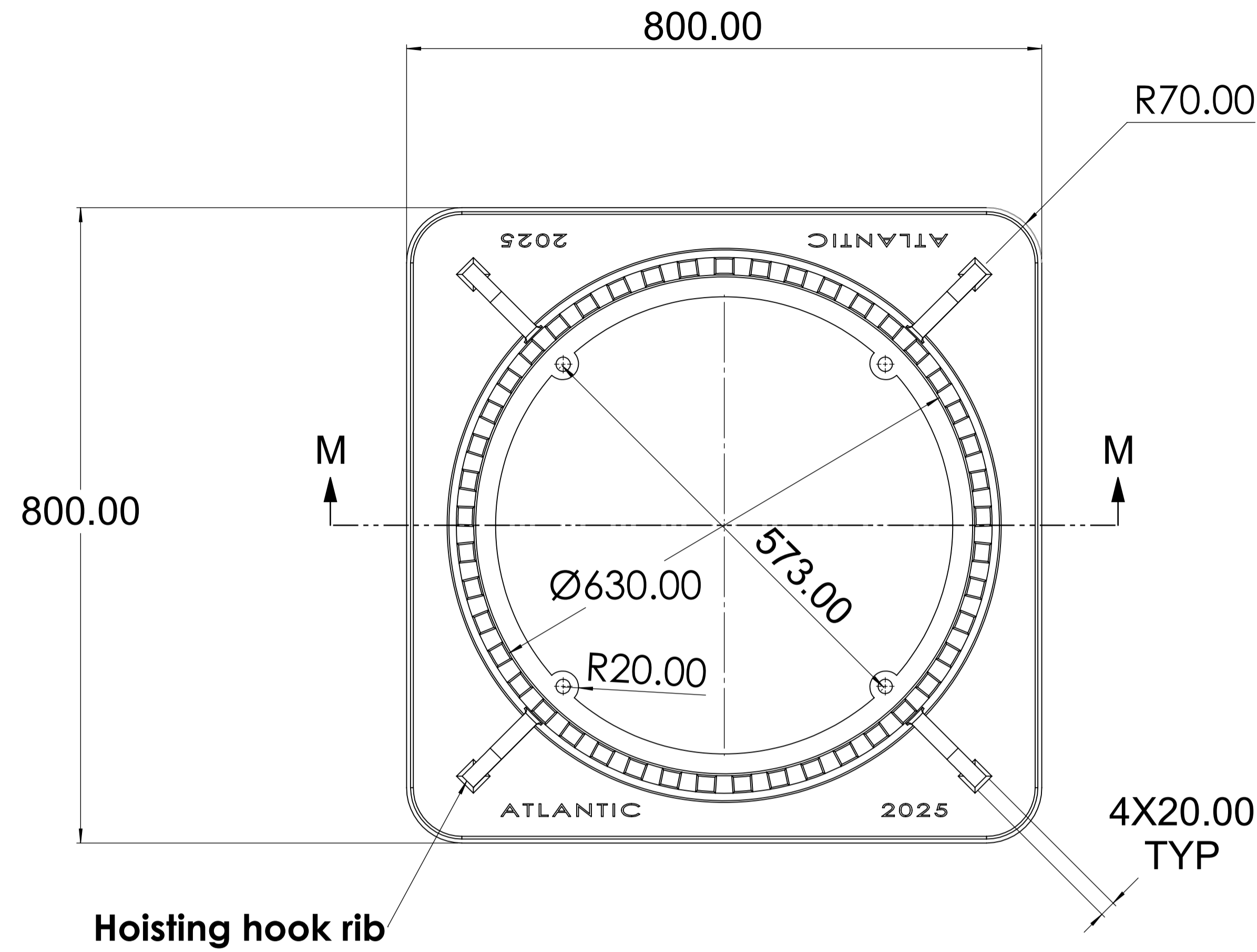


NOTE : KINDLY FOLLOW 3D DATA FOR UNSPECIFIED DIMENSIONS.



UNLESS OTHERWISE SPECIFIED: DIMENSIONS ARE IN MILLIMETERS TOLERANCES: LINEAR: ± 2 MM ANGULAR: ± 1° BRK/FILE SHARP CORNER: 1 MM MAX SURFACE FINISH: 20 - 50				THIS DRAWING IS THE PRIVATE PROPERTY OF "ATLANTIC CORPORATION LIMITED" AND CAN NOT BE USED DIRECTLY OR INDIRECTLY WITHOUT THE WRITTEN PERMISSION OF THE COMPANY. ALL LEGAL RIGHTS RESERVED.		ATLANTIC CORPORATION LIMITED	
NAME	SIGNATURE	DATE	HEAT TREATMENT:	PART NAME: FRAME GAS TIGHT		REVISION: A	
DRAWN	ATLANTIC	21-05-2025	MATERIAL: ASTM-A48 CLASS-30B (CAST IRON)				
CHK'D			PROJECT:	PART NUMBER: 401.030			
APPV'D			05				
MFG			WEIGHT:	SHEET 1 OF 1		SCALE: 1:5	
Q.A				SIZE: A1			
DO NOT SCALE DRAWING							

REVISIONS

REV.	DATE	DESCRIPTION	EARLIER WAS	CHANGED TO
A	22-05-2025	DRAWING RELEASED	INITIAL RELEASE	INITIAL RELEASE