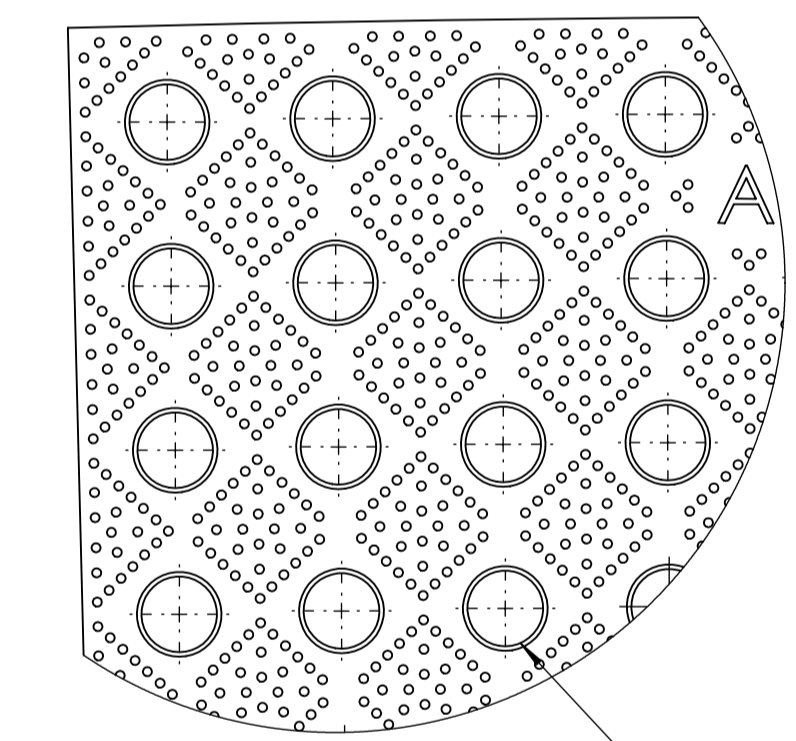
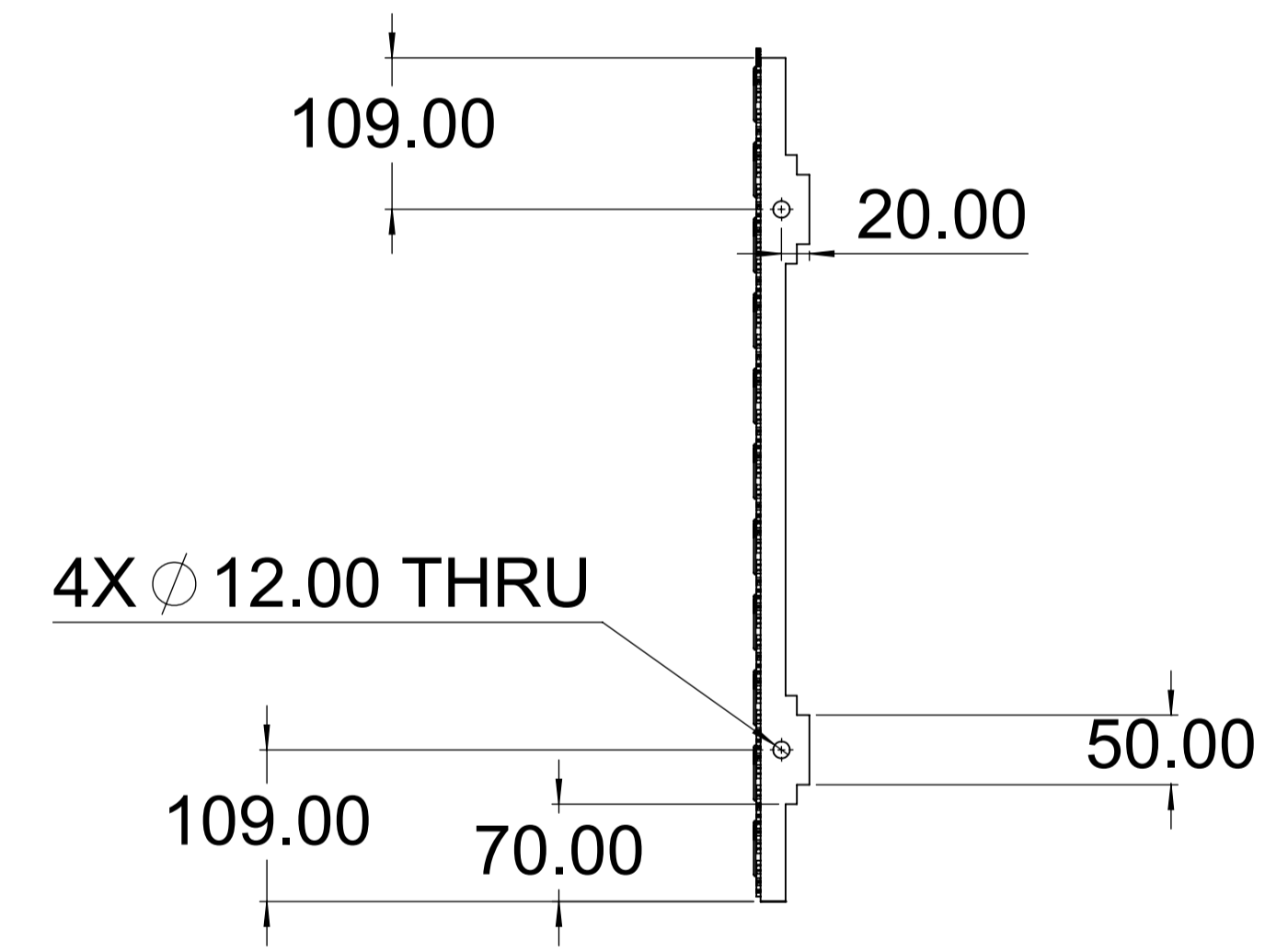
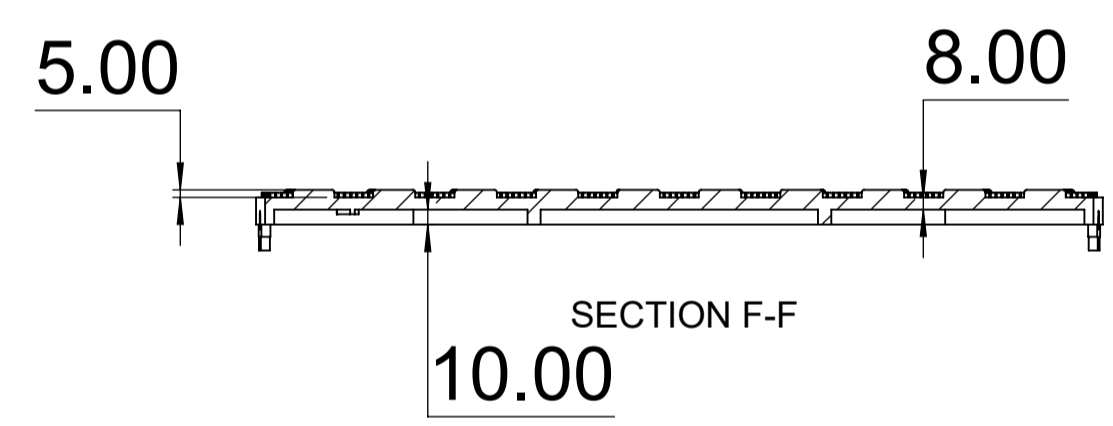
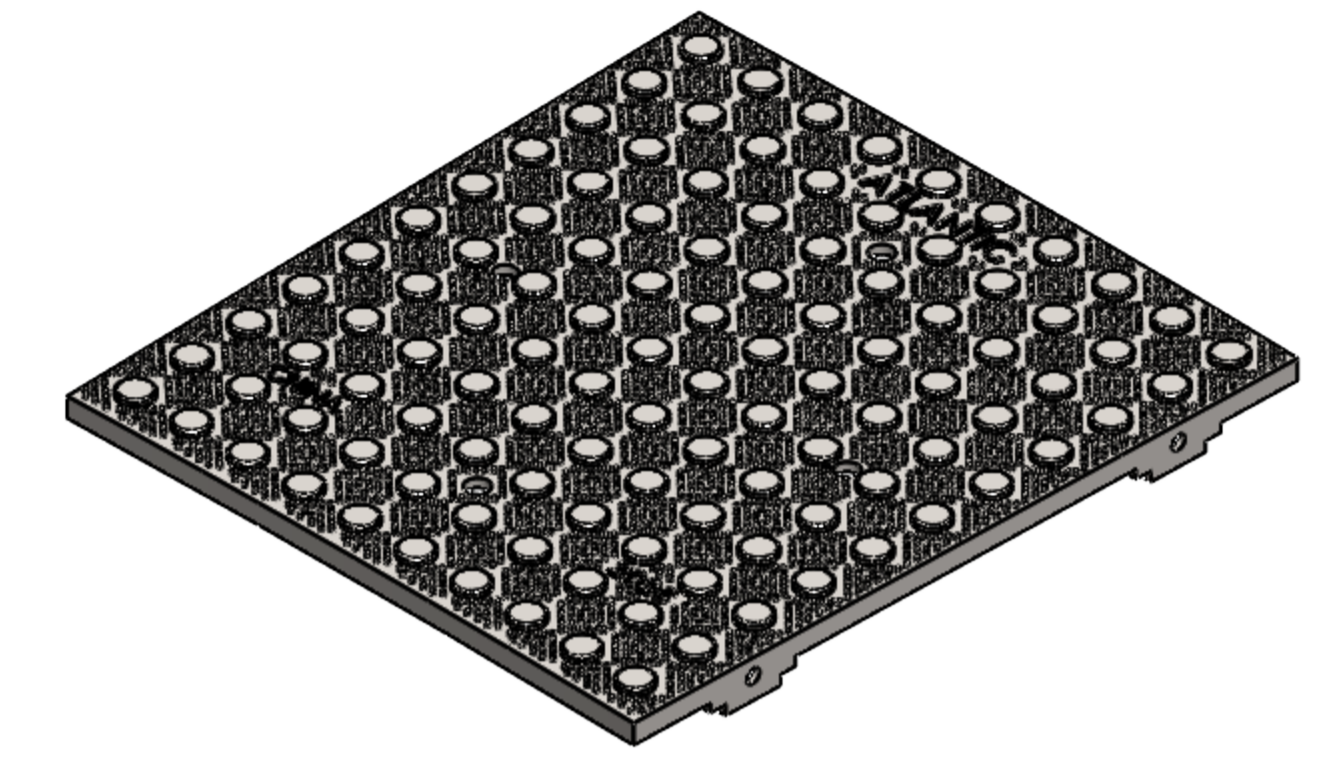
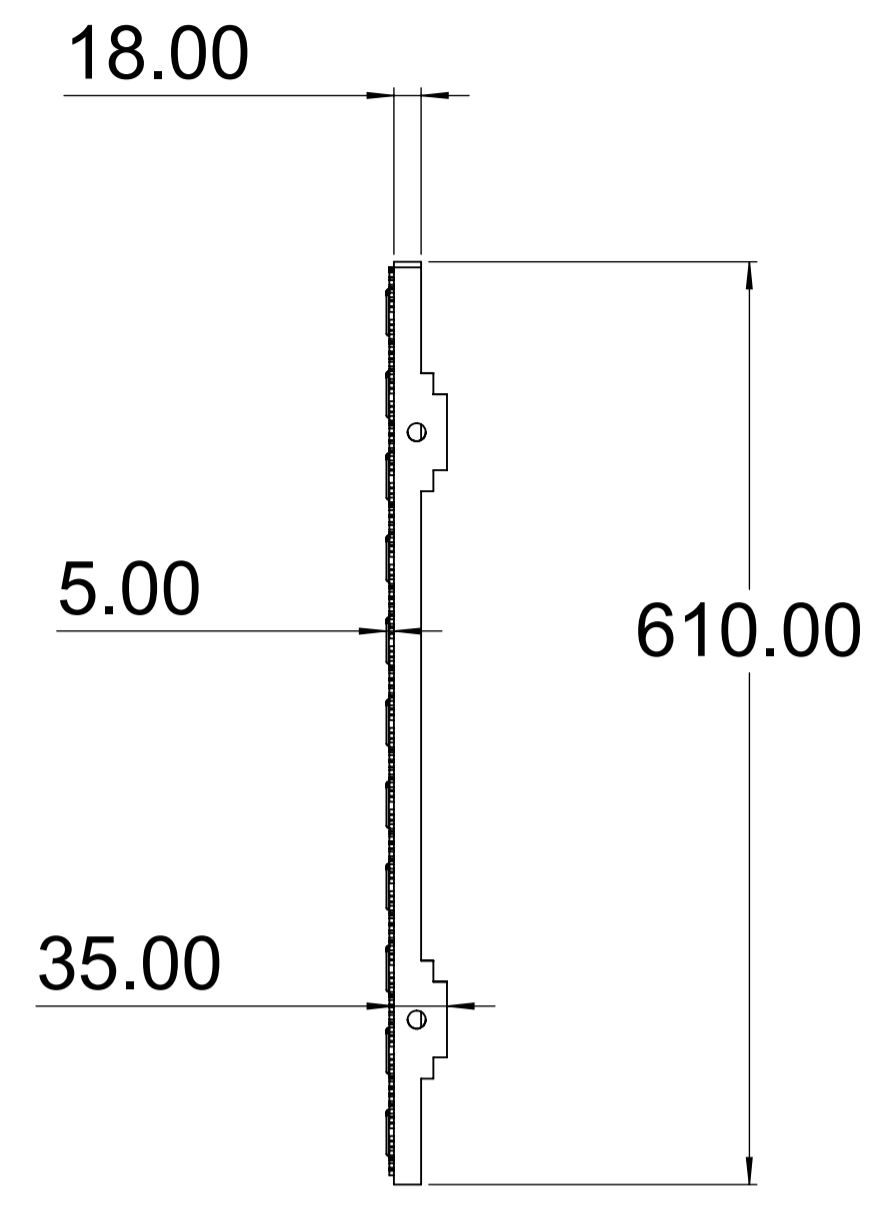
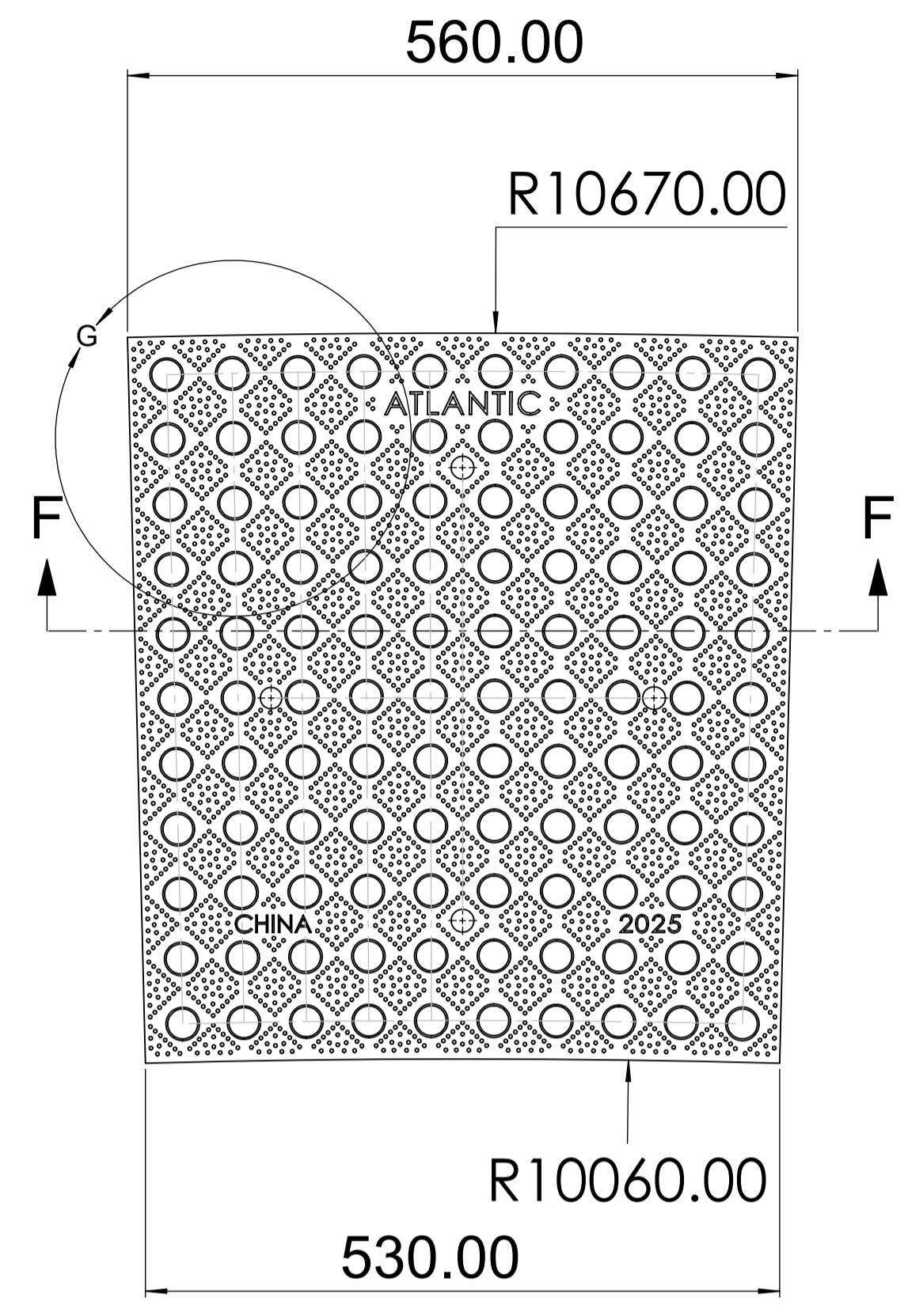
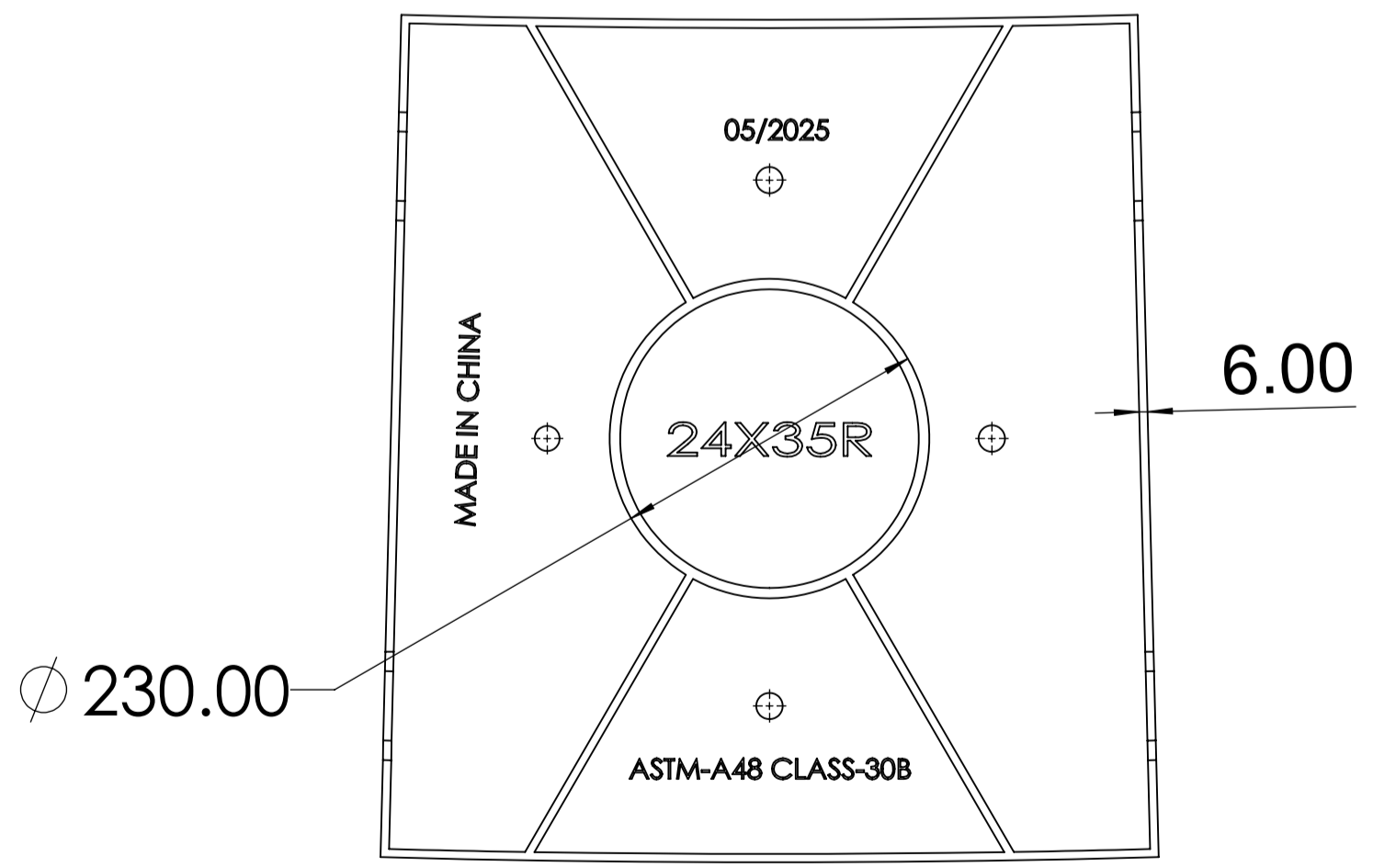


NOTE : 1) KINDLY FOLLOW 3D DATA FOR UNSPECIFIED DIMENSIONS.
 2) REMOVE ALL SHARP EDGES, NO BURR & DENTS ARE ALLOWED.



10X11 DOME EMBOSING
(WITH EQUAL SPACING)



UNLESS OTHERWISE SPECIFIED: DIMENSIONS ARE IN MILLIMETERS TOLERANCES: LINEAR: ± 2 MM ANGULAR: ± 1° BRK/FILE SHARP CORNER: 1 MM MAX SURFACE FINISH: 20 - 50				THIS DRAWING IS THE PRIVATE PROPERTY OF "ATLANTIC CORPORATION LIMITED" AND CAN NOT BE USED DIRECTLY OR INDIRECTLY WITHOUT THE WRITTEN PERMISSION OF THE COMPANY. ALL LEGAL RIGHTS RESERVED.		ATLANTIC CORPORATION LIMITED		
NAME	SIGNATURE	DATE	HEAT TREATMENT:	PART NAME: 35' RADIUS DETECTABLE PLATE	REVISION: A			
DRAWN	ATLANTIC	18-06-2025	MATERIAL: ASTM-A8 CLASS-30B					
CHK'D			PROJECT:	PART NUMBER: 07	SIZE: A1			
APPV'D			06					
MFG			WEIGHT:	SHEET 1 OF 1		SCALE: 1:5		
Q.A								
			DO NOT SCALE DRAWING					

REVISIONS

REV.	DATE	DESCRIPTION	EARLIER WAS	CHANGED TO
A	18-06-2025	DRAWING RELEASED	INITIAL RELEASE	INITIAL RELEASE