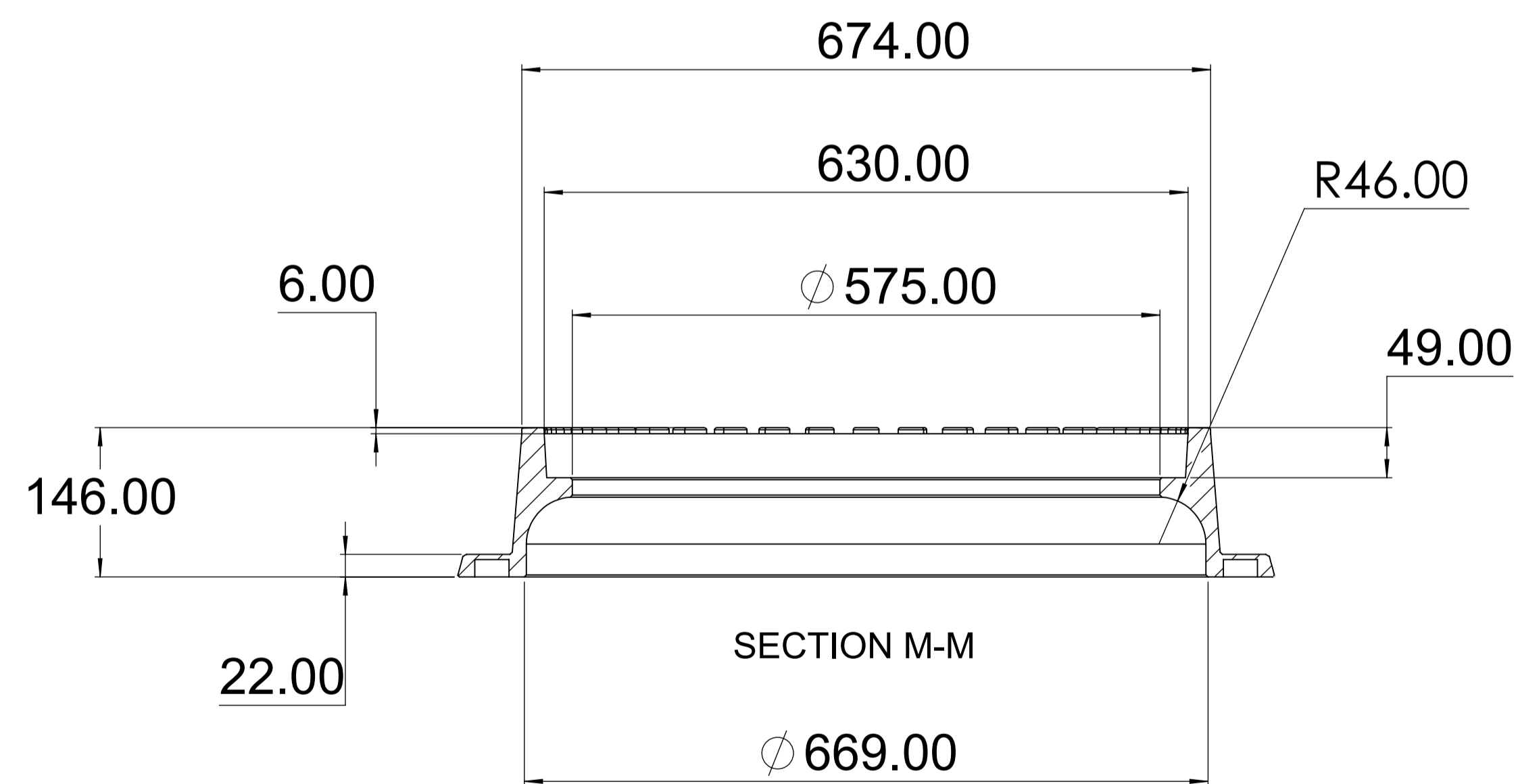
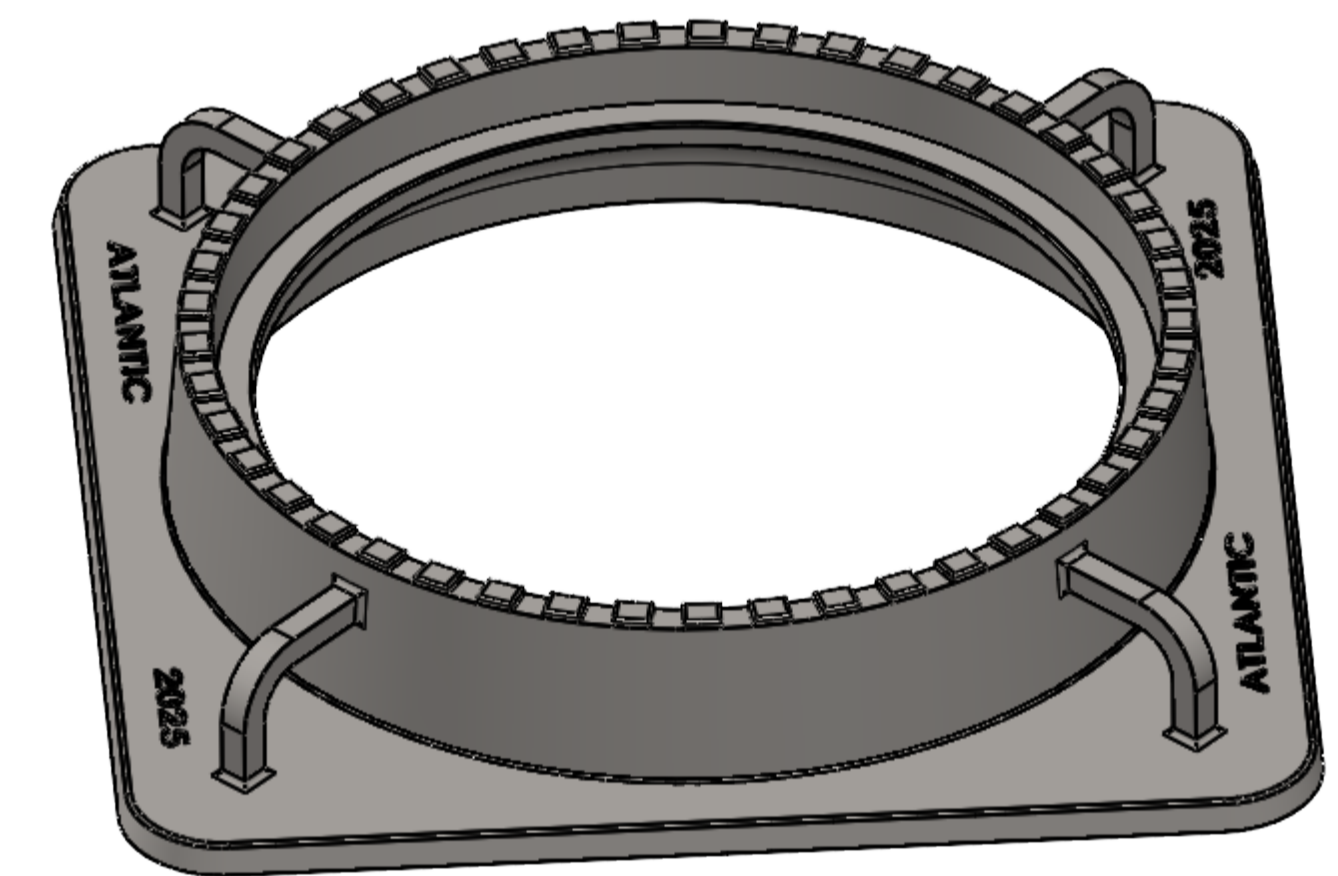
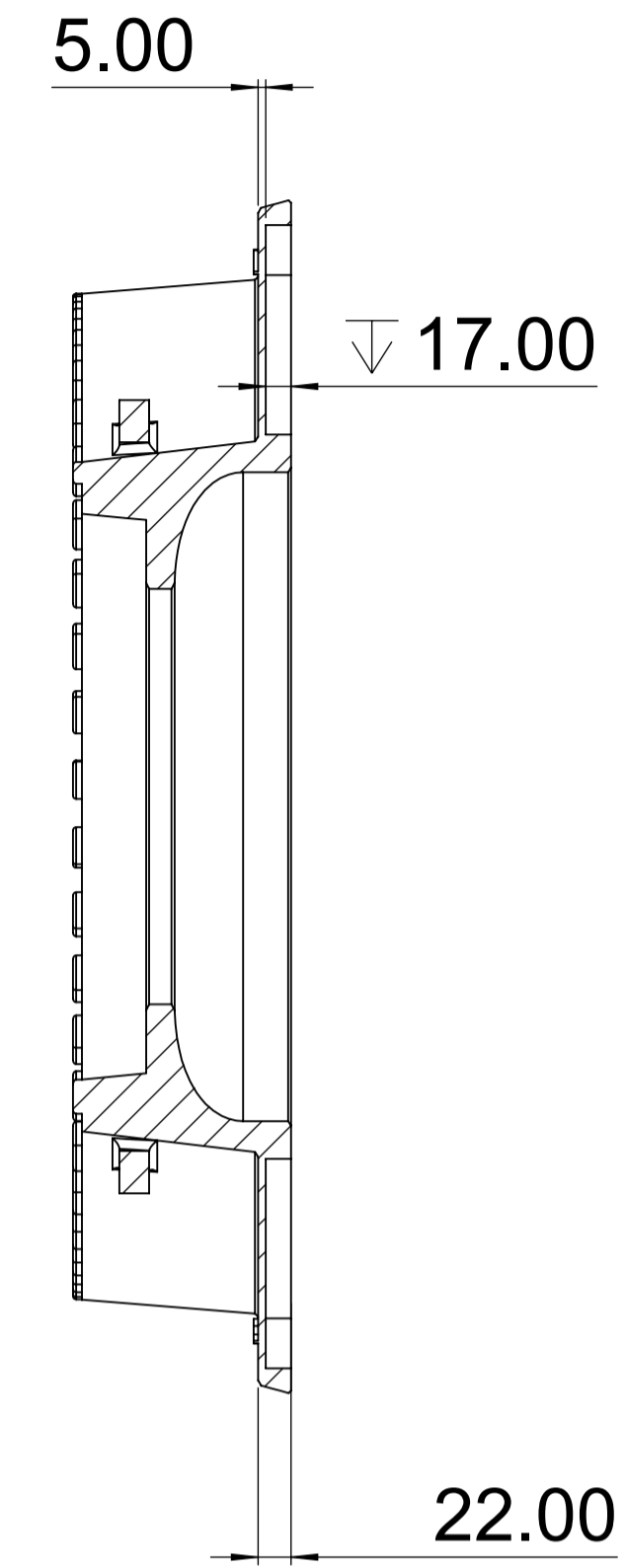
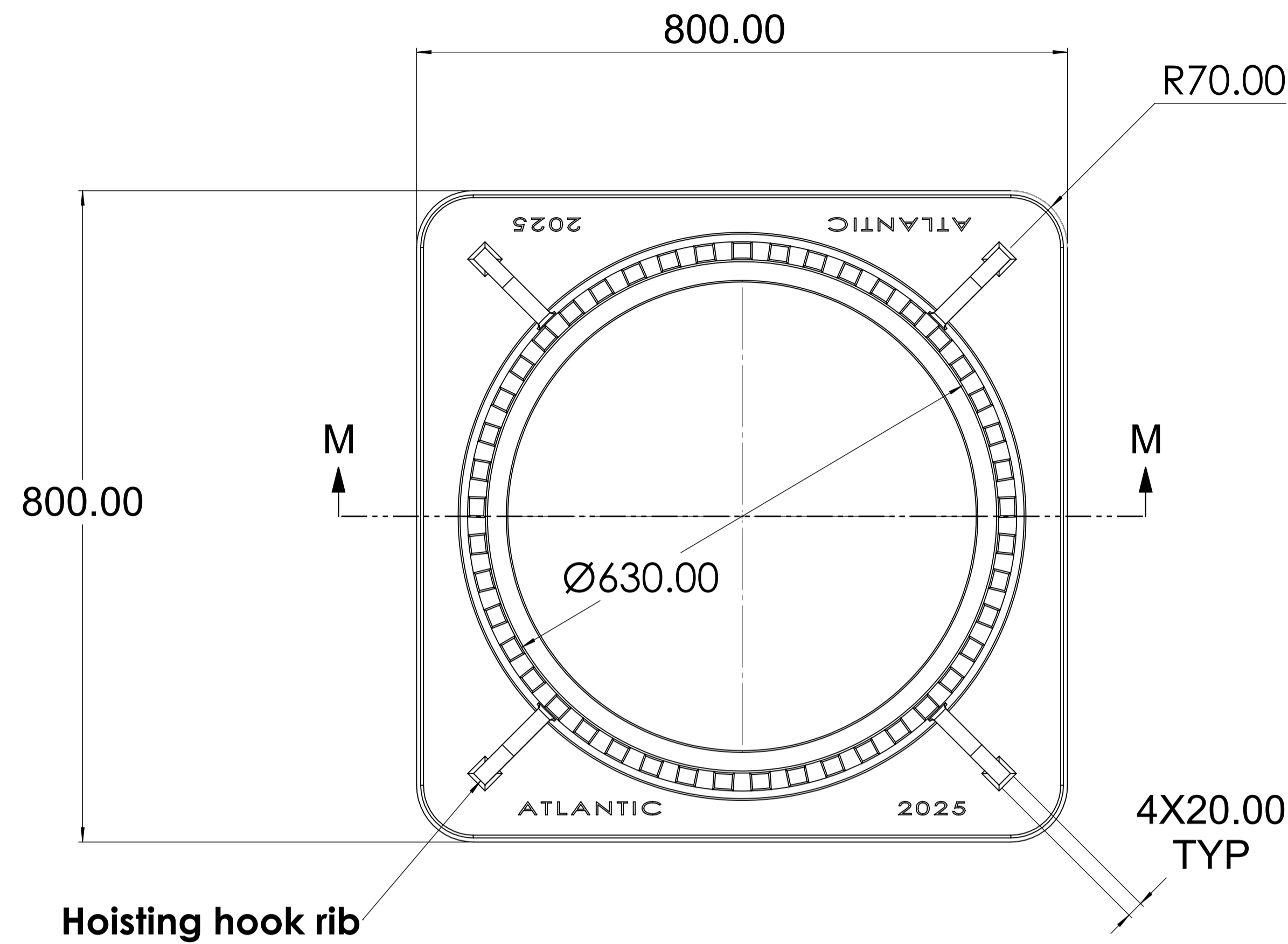


NOTE : KINDLY FOLLOW 3D DATA FOR UNSPECIFIED DIMENSIONS.



UNLESS OTHERWISE SPECIFIED:
DIMENSIONS ARE IN MILLIMETERS
TOLERANCES:
LINEAR: ± 2 MM
ANGULAR: ± 1°
BRK/FILE SHARP CORNER: 1 MM MAX
SURFACE FINISH: 20 - 50

THIS DRAWING IS THE PRIVATE PROPERTY OF
"ATLANTIC CORPORATION LIMITED"
AND CAN NOT BE USED DIRECTLY OR INDIRECTLY
WITHOUT THE WRITTEN PERMISSION OF THE COMPANY.
ALL LEGAL RIGHTS RESERVED.

**ATLANTIC CORPORATION
LIMITED**

	NAME	SIGNATURE	DATE
DRAWN	ATLANTIC		28-05-2025
CHK'D			
APPV'D			
MFG	-		
Q.A			

HEAT TREATMENT:	
MATERIAL:	ASTM-A48 CLASS-30B (CAST IRON)
PROJECT:	05
WEIGHT:	

PART NAME:	SANITARY FRAME
PART NUMBER:	401.010
SHEET 1 OF 1	SCALE: 1:5

REVISION:	A
	A1

REVISIONS

REV.	DATE	DESCRIPTION	EARLIER WAS	CHANGED TO
A	28-05-2025	DRAWING RELEASED	INITIAL RELEASE	INITIAL RELEASE