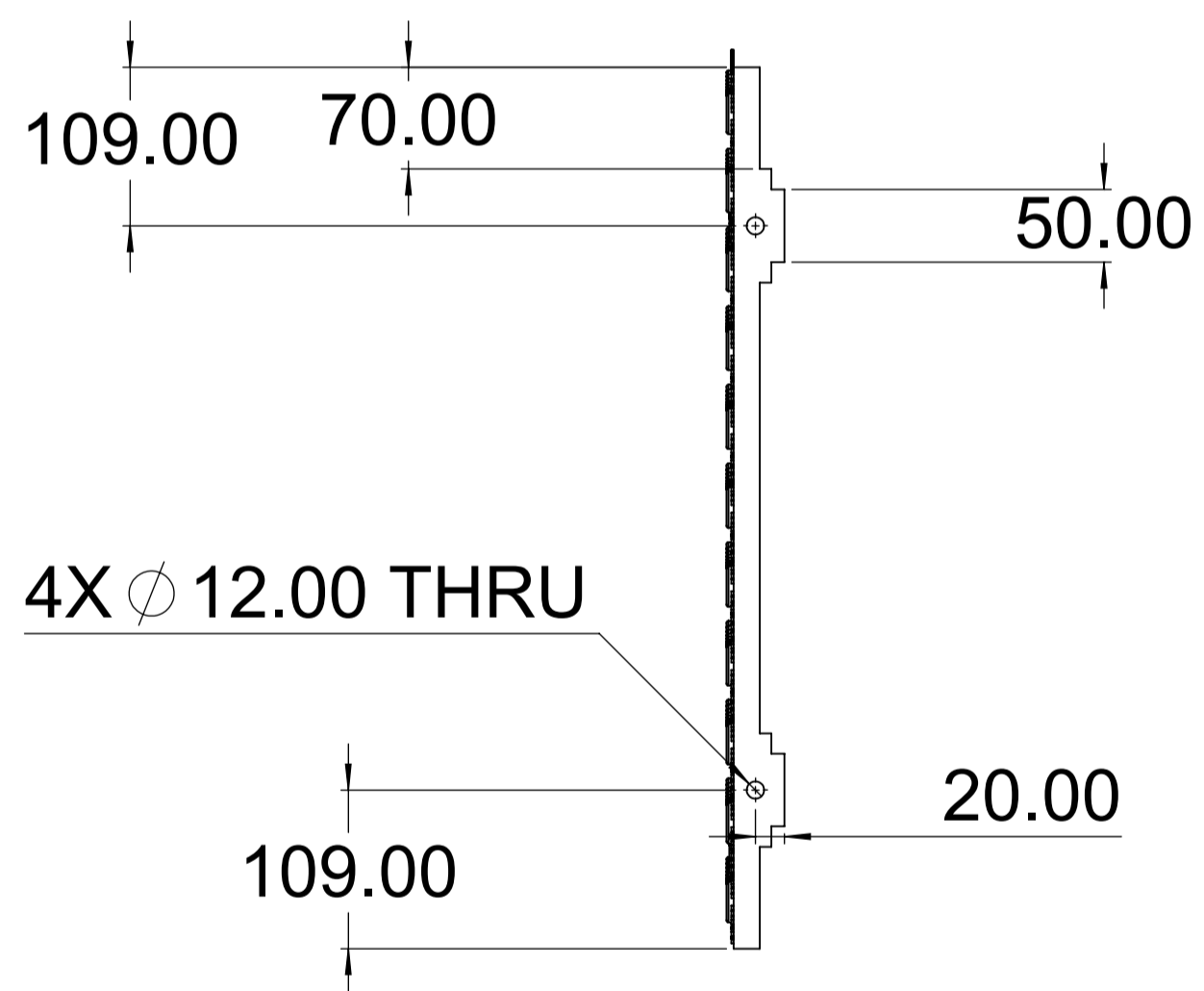
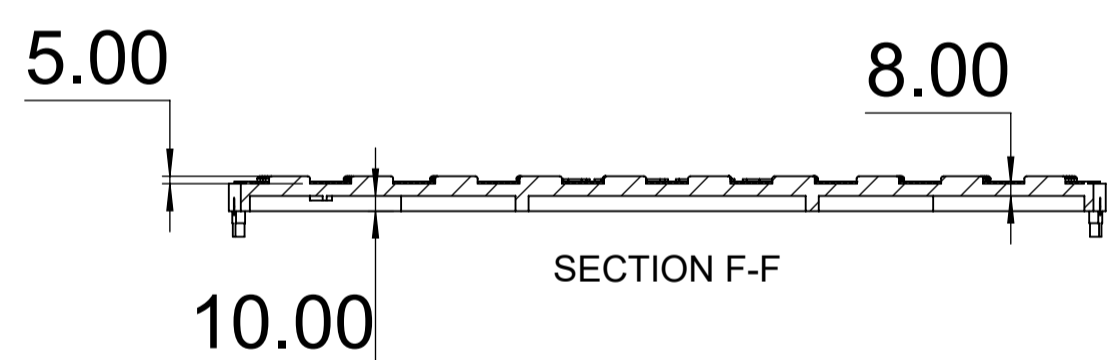
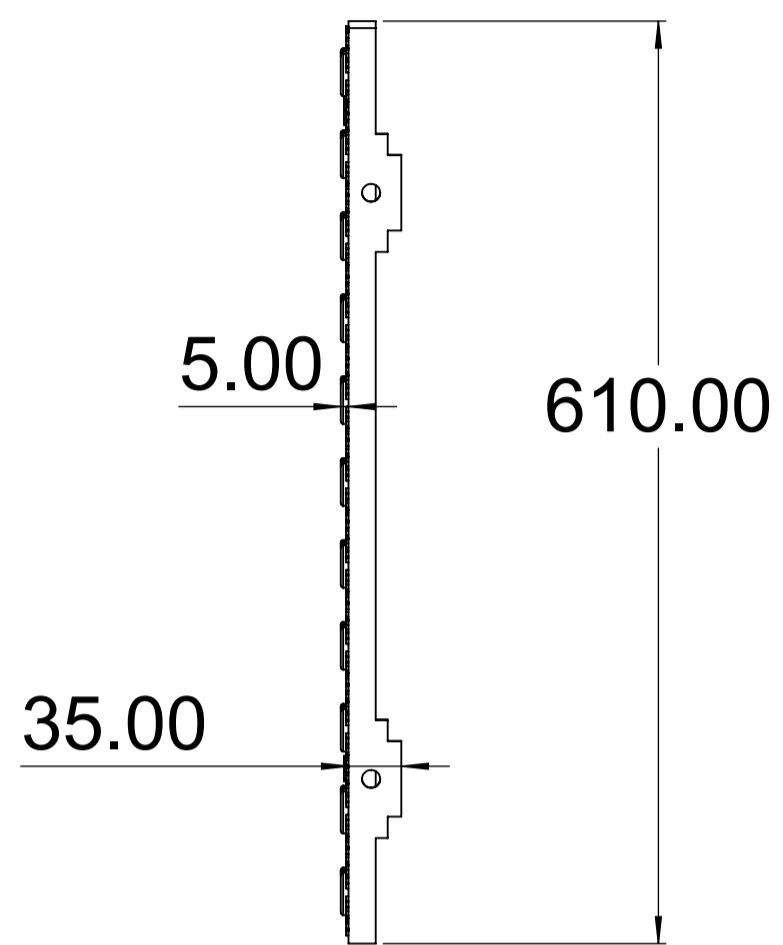
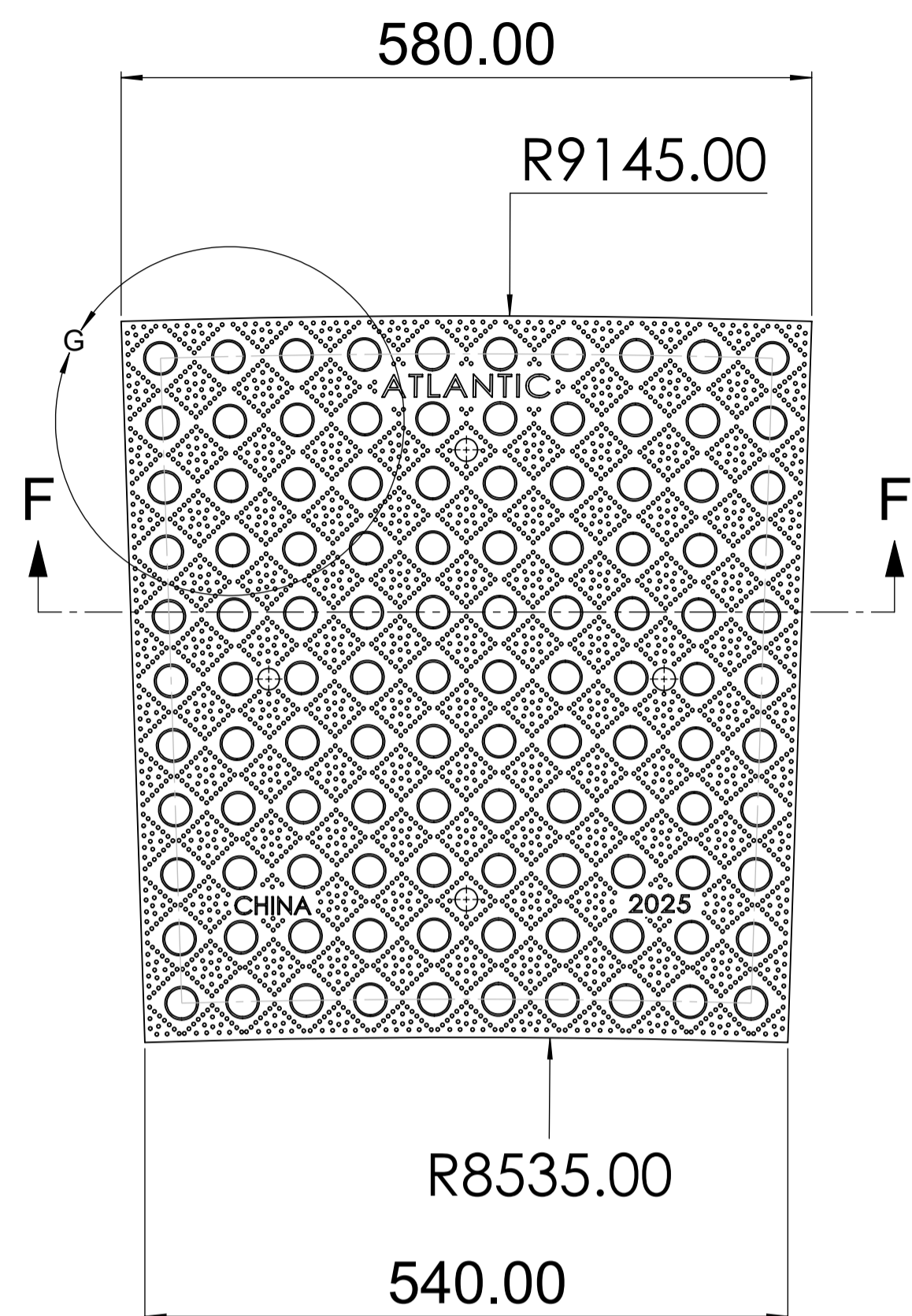
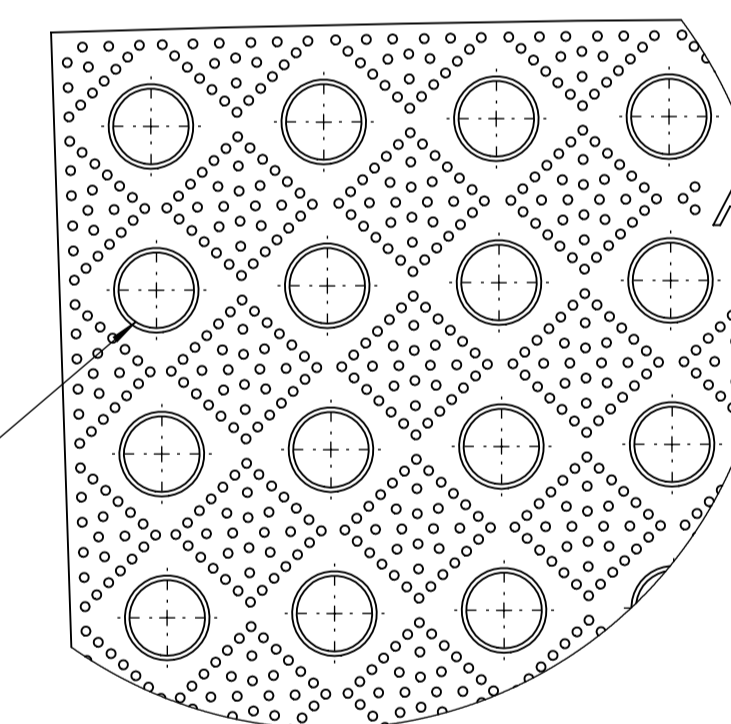


16 15 14 13 12 11 10 9 8 7 6 5 4 3 2 1

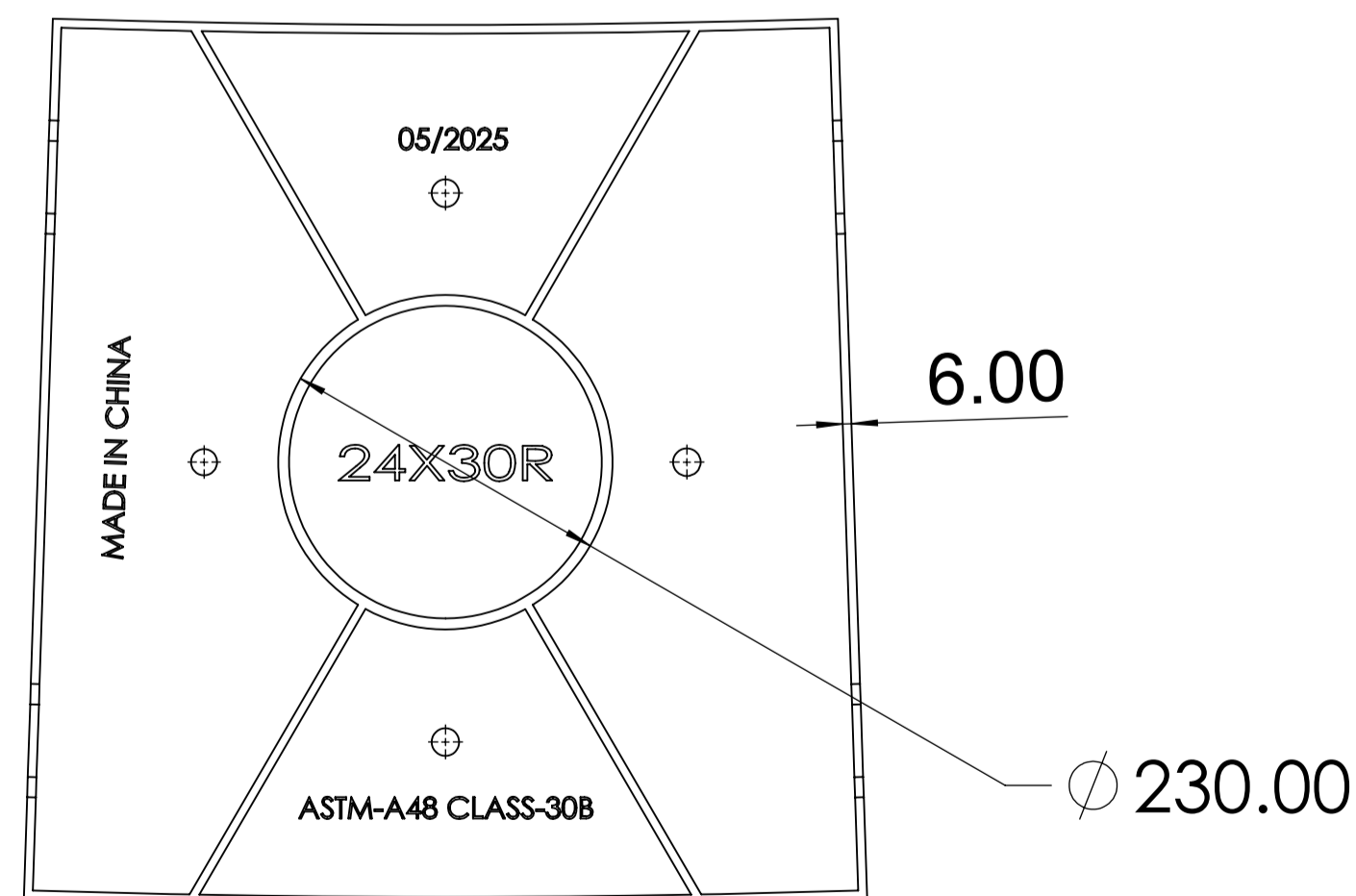
**NOTE : 1) KINDLY FOLLOW 3D DATA FOR UNSPECIFIED DIMENSIONS.
2) REMOVE ALL SHARP EDGES, NO BURR & DENTS ARE ALLOWED.**



10X11 DOME EMBOSING
(WITH EQUAL SPACING)



DETAIL G
SCALE 2 : 5



UNLESS OTHERWISE SPECIFIED:
DIMENSIONS ARE IN MILLIMETERS
TOLERANCES:
LINEAR: ± 2 MM
ANGULAR: ± 1°
BRK/FILE SHARP CORNER: 1 MM MAX
SURFACE FINISH: 20 - 50

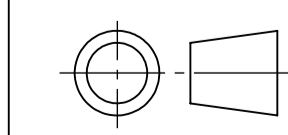
THIS DRAWING IS THE PRIVATE PROPERTY OF
"ATLANTIC CORPORATION LIMITED"
AND CAN NOT BE USED DIRECTLY OR INDIRECTLY
WITHOUT THE WRITTEN PERMISSION OF THE COMPANY.
ALL LEGAL RIGHTS RESERVED.

**ATLANTIC CORPORATION
LIMITED**

	NAME	SIGNATURE	DATE
DRAWN	ATLANTIC		18-06-2025
CHK'D			
APPV'D			
MFG			
Q.A			

HEAT TREATMENT:
MATERIAL:
ASTM-A8 CLASS-30B
PROJECT:
06

PART NAME:
30' RADIUS DETECTABLE PLATE
REVISION:
A
PART NUMBER:
06



REVISIONS

REV.	DATE	DESCRIPTION	EARLIER WAS	CHANGED TO
A	18-06-2025	DRAWING RELEASED	INITIAL RELEASE	INITIAL RELEASE

DO NOT SCALE DRAWING WEIGHT: SHEET 1 OF 1 SCALE:1:5 SIZE: A1

16 15 14 13 12 11 10 9 8 7 6 5 4 3 2 1