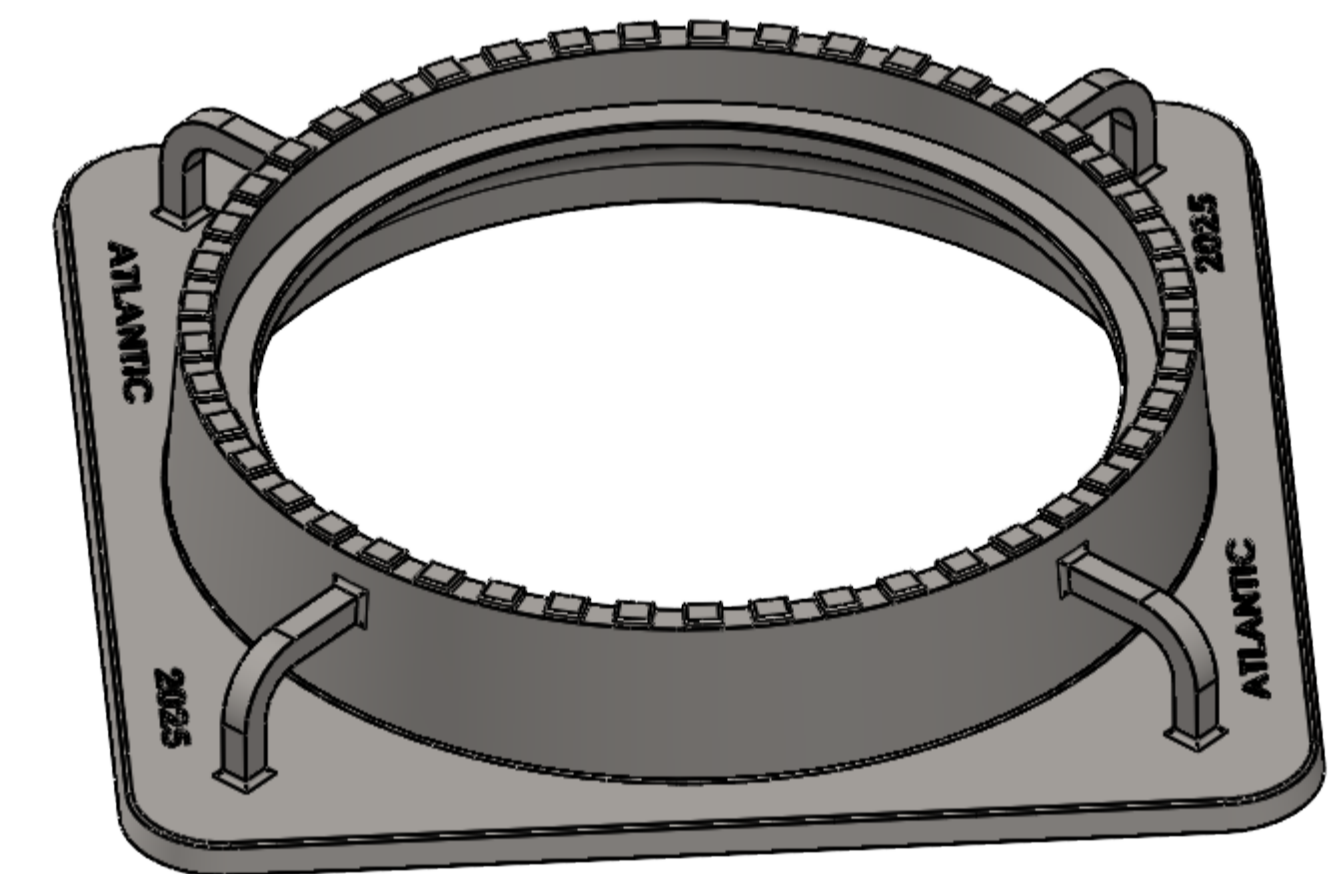
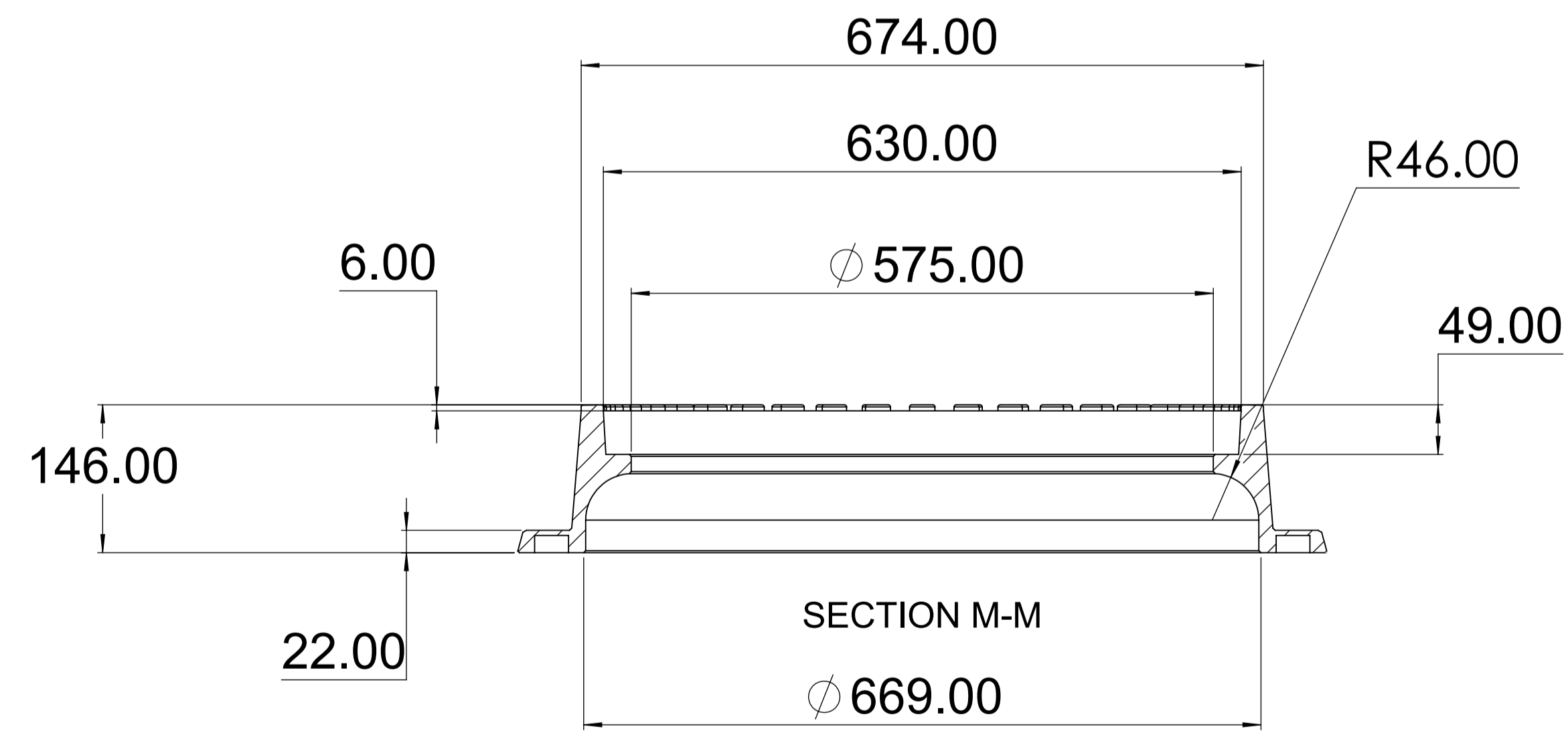
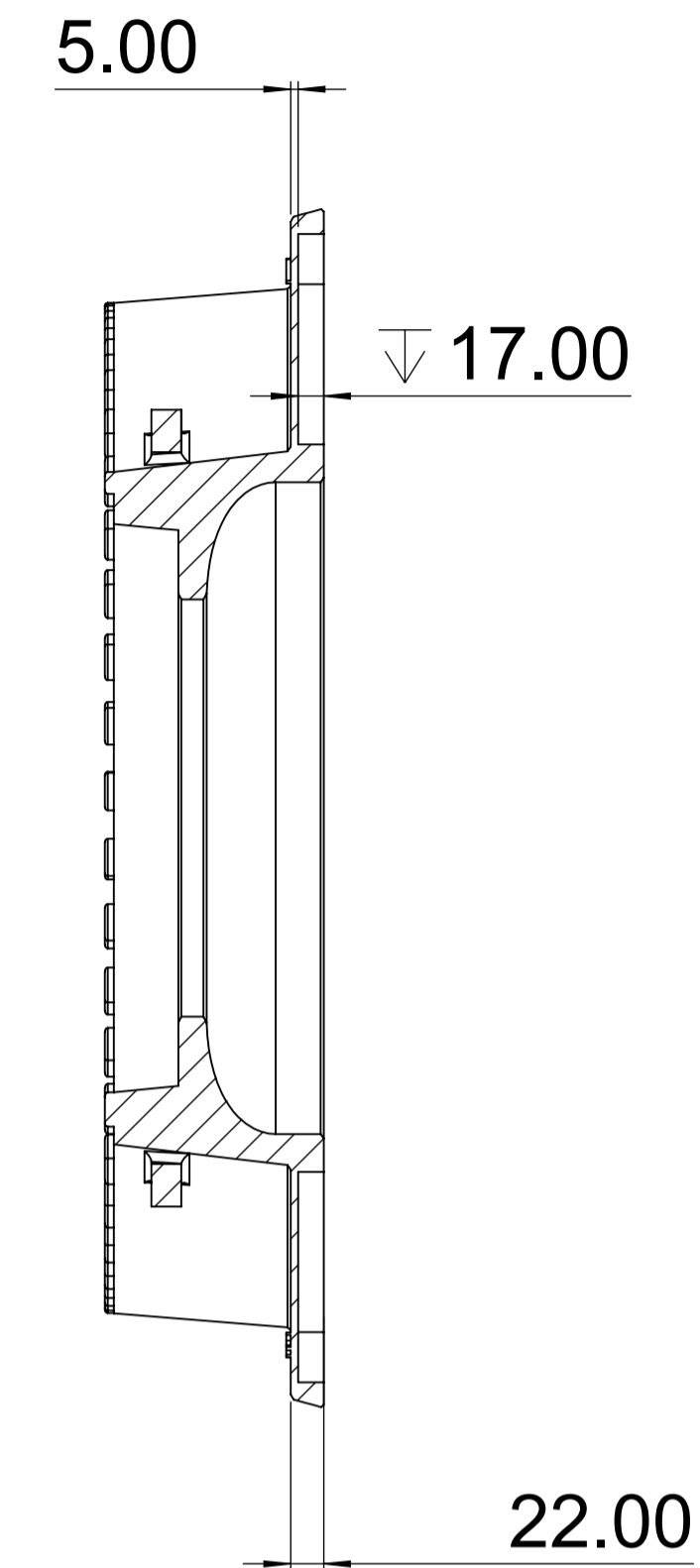
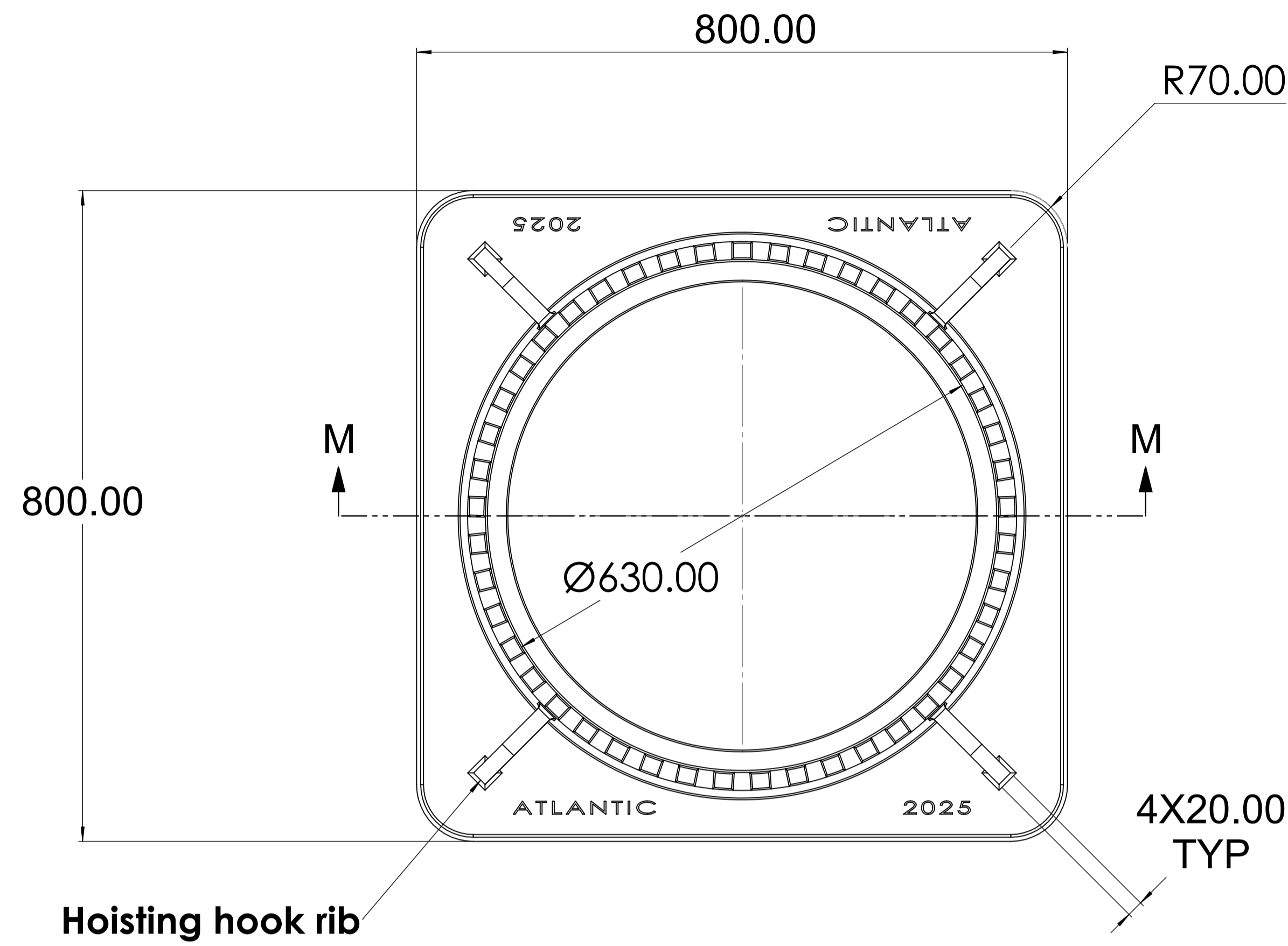


NOTE : KINDLY FOLLOW 3D DATA FOR UNSPECIFIED DIMENSIONS.



UNLESS OTHERWISE SPECIFIED: DIMENSIONS ARE IN MILLIMETERS TOLERANCES: LINEAR: ± 2 MM ANGULAR: ± 1° BRK/FILE SHARP CORNER: 1 MM MAX SURFACE FINISH: 20 - 50				THIS DRAWING IS THE PRIVATE PROPERTY OF "ATLANTIC CORPORATION LIMITED" AND CAN NOT BE USED DIRECTLY OR INDIRECTLY WITHOUT THE WRITTEN PERMISSION OF THE COMPANY. ALL LEGAL RIGHTS RESERVED.		ATLANTIC CORPORATION LIMITED	
NAME	SIGNATURE	DATE	HEAT TREATMENT:	PART NAME: STORM FRAME	REVISION: A		
DRAWN	ATLANTIC	28-05-2025	MATERIAL: ASTM-A48 CLASS-30B (CAST IRON)				
CHK'D			PROJECT: 05	PART NUMBER: 401.010			
APPV'D						WEIGHT:	SHEET 1 OF 1
MFG					SIZE: A1		
Q.A							
DO NOT SCALE DRAWING							

REVISIONS

REV.	DATE	DESCRIPTION	EARLIER WAS	CHANGED TO
A	28-05-2025	DRAWING RELEASED	INITIAL RELEASE	INITIAL RELEASE