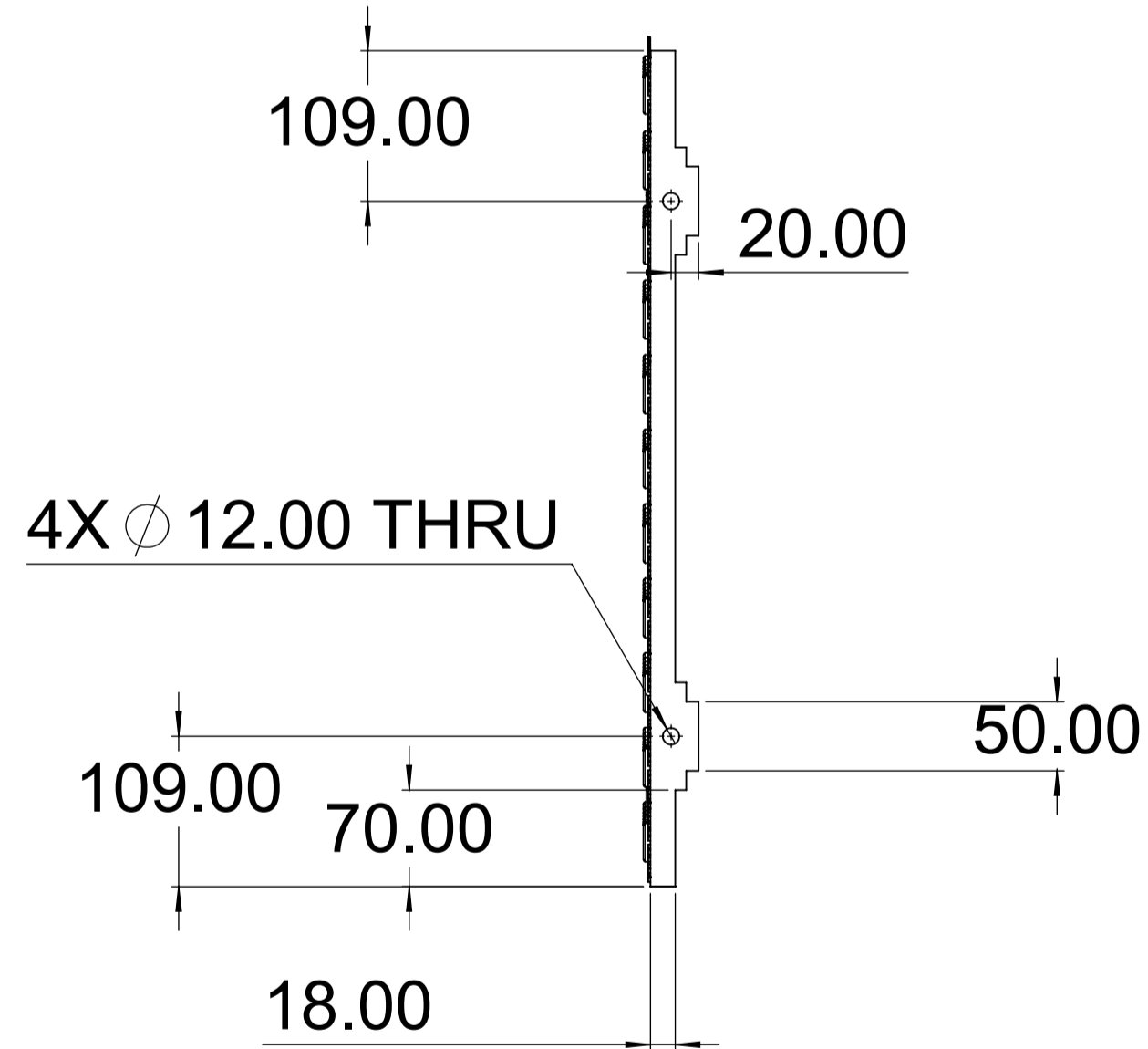
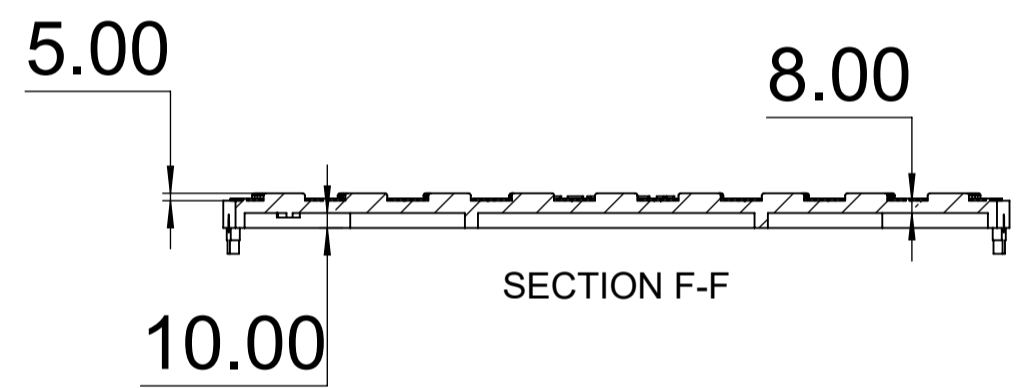
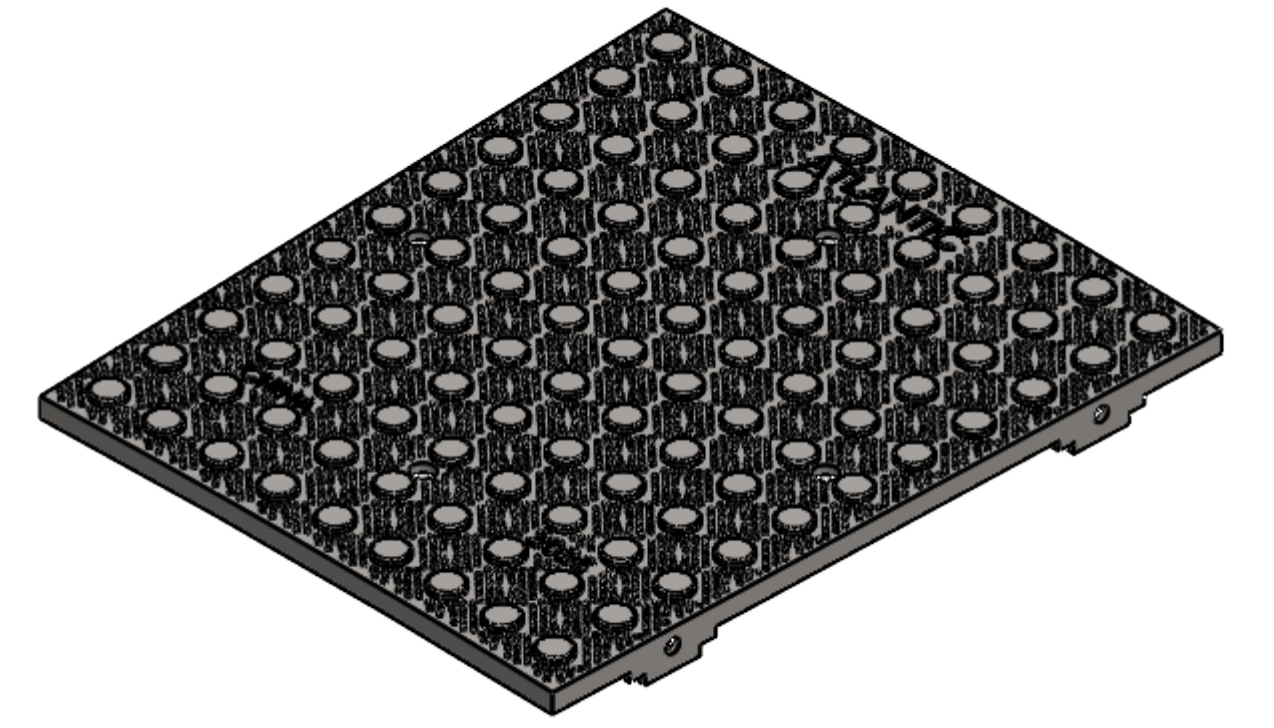
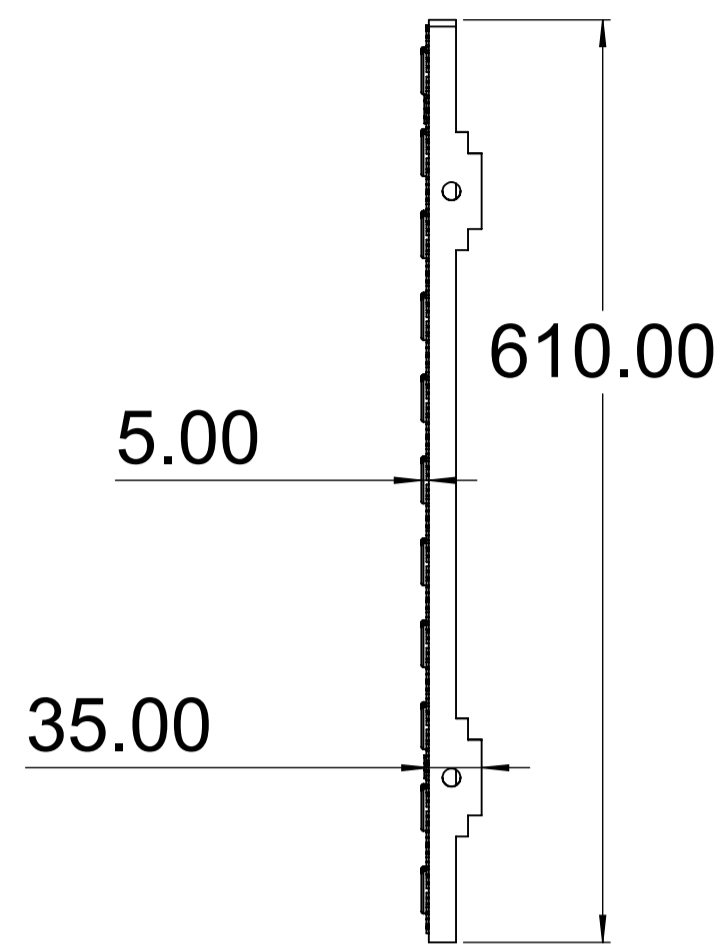
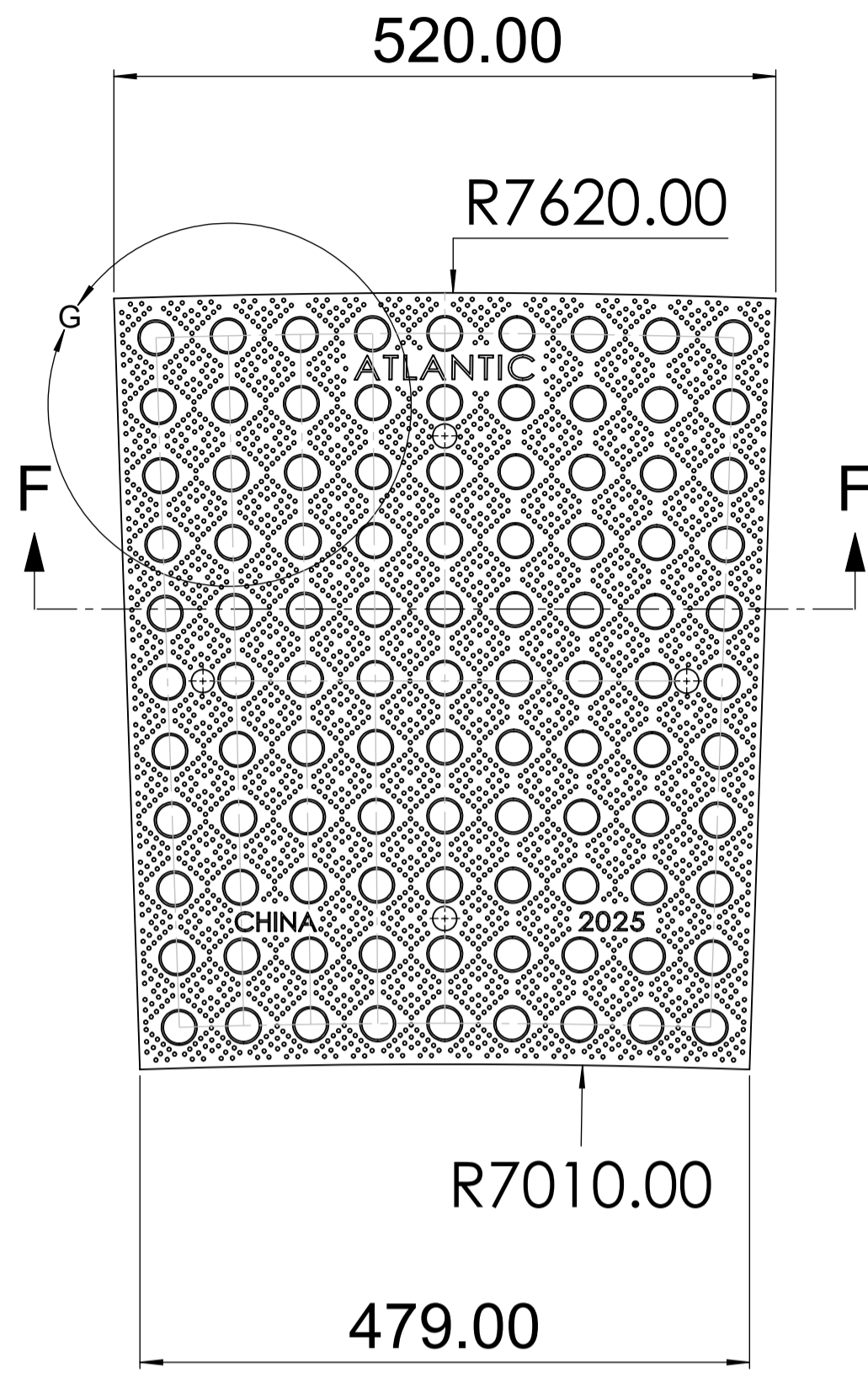
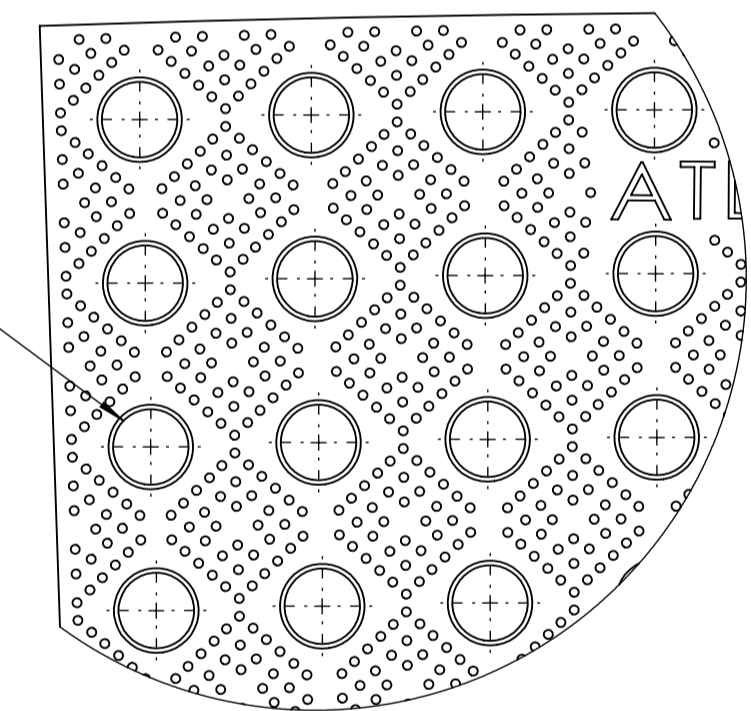


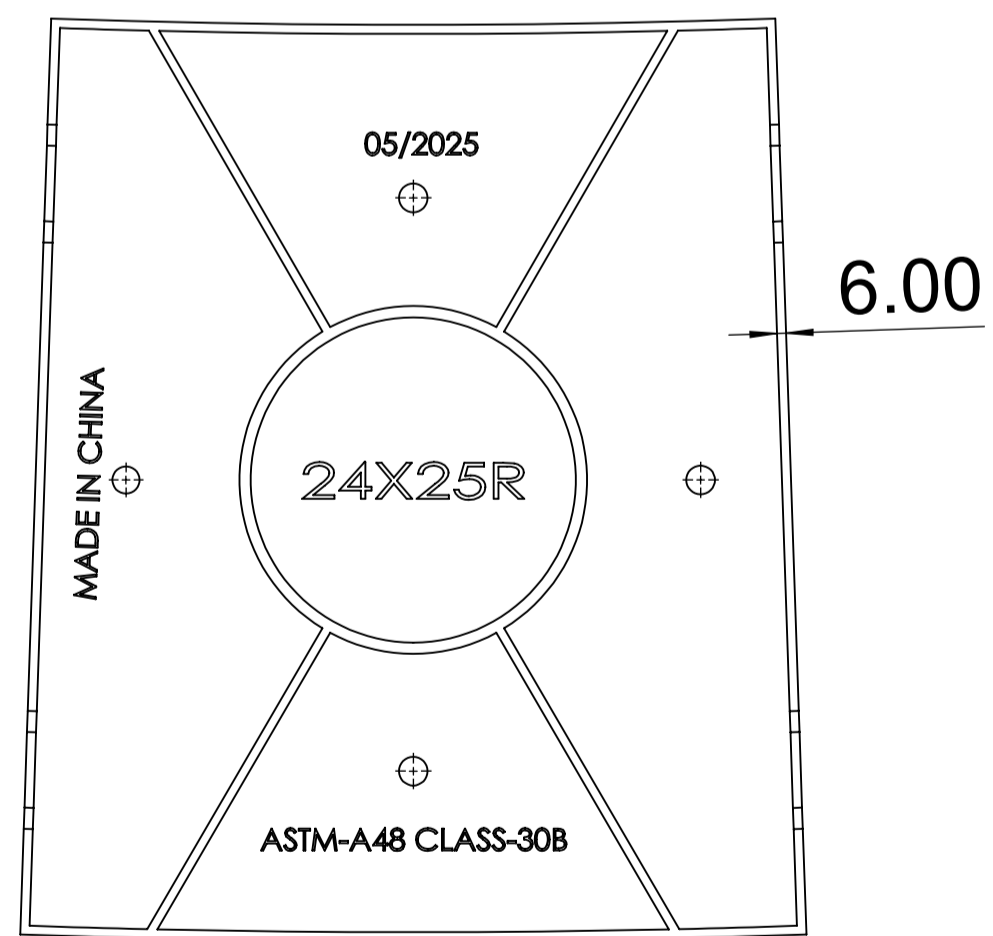
NOTE : 1) KINDLY FOLLOW 3D DATA FOR UNSPECIFIED DIMENSIONS.
 2) REMOVE ALL SHARP EDGES, NO BURR & DENTS ARE ALLOWED.



9X11 DOME EMBOSSING
(WITH EQUAL SPACING)



DETAIL G
SCALE 2 : 5



UNLESS OTHERWISE SPECIFIED:
 DIMENSIONS ARE IN MILLIMETERS
 TOLERANCES:
 LINEAR: ± 2 MM
 ANGULAR: ± 1°
 BRK/FILE SHARP CORNER: 1 MM MAX
 SURFACE FINISH: 20 - 50

THIS DRAWING IS THE PRIVATE PROPERTY OF
 "ATLANTIC CORPORATION LIMITED"
 AND CAN NOT BE USED DIRECTLY OR INDIRECTLY
 WITHOUT THE WRITTEN PERMISSION OF THE COMPANY.
 ALL LEGAL RIGHTS RESERVED.

**ATLANTIC CORPORATION
 LIMITED**

	NAME	SIGNATURE	DATE
DRAWN	ATLANTIC		18-06-2025
CHK'D			
APPV'D			
MFG			
Q.A			

HEAT TREATMENT:

MATERIAL:
 ASTM-A8 CLASS-30B

PROJECT:
 06

PART NAME:
 25' RADIUS DETECTABLE PLATE

PART NUMBER:
 05

REVISION:
 A

REVISIONS				
REV.	DATE	DESCRIPTION	EARLIER WAS	CHANGED TO
A	18-05-2025	DRAWING RELEASED	INITIAL RELEASE	INITIAL RELEASE

DO NOT SCALE DRAWING WEIGHT: SHEET 1 OF 1 SCALE: 1:5 SIZE: A1