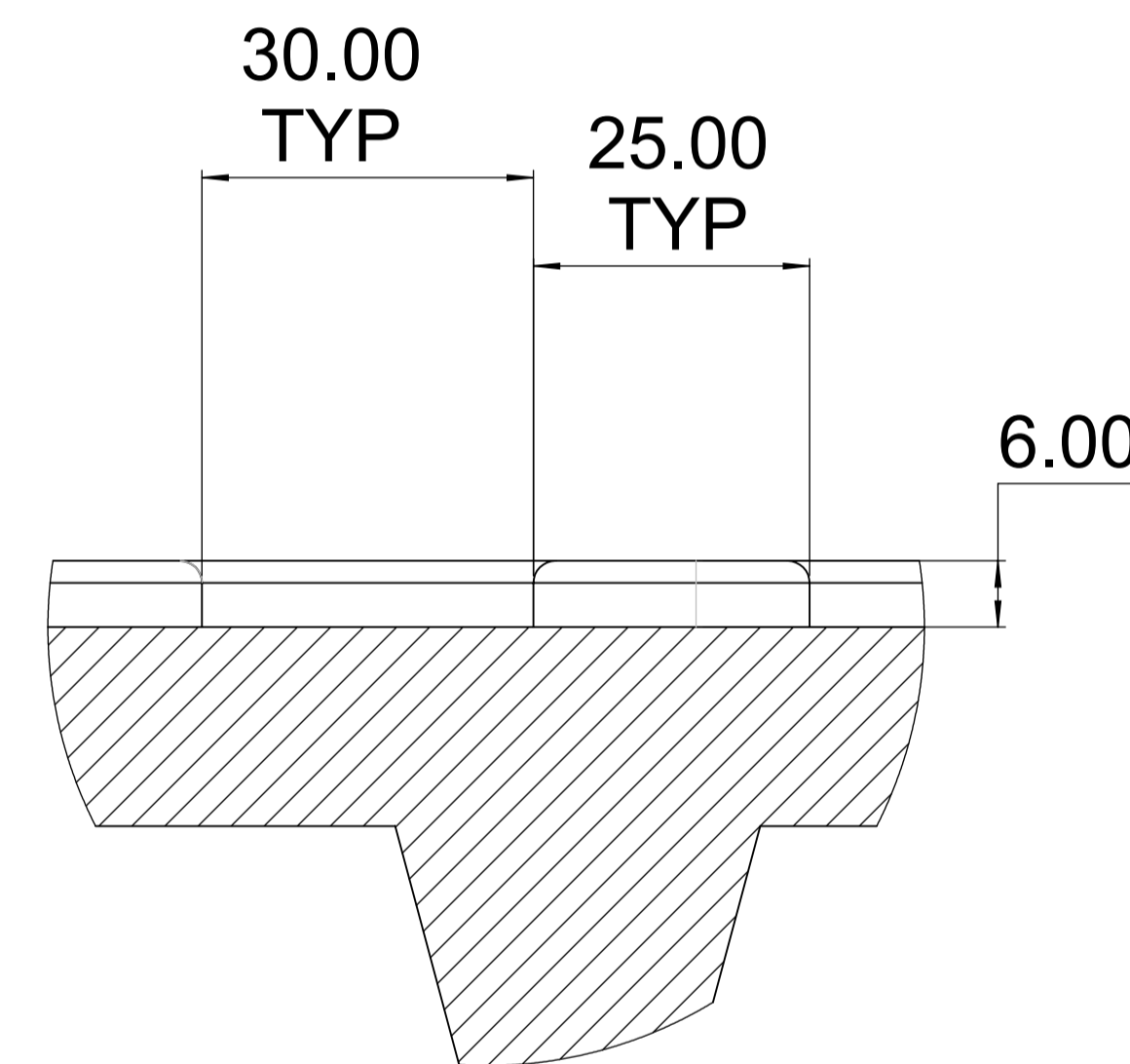
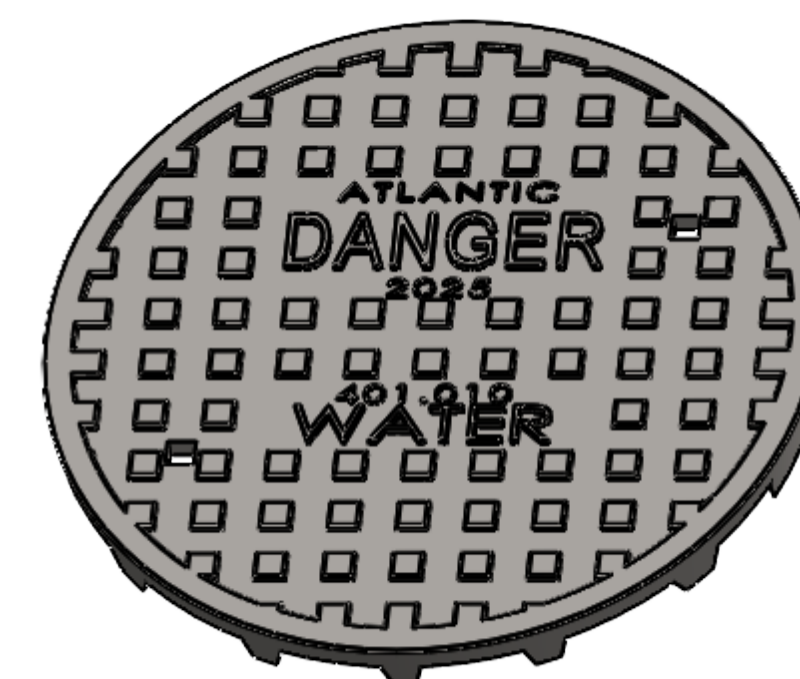
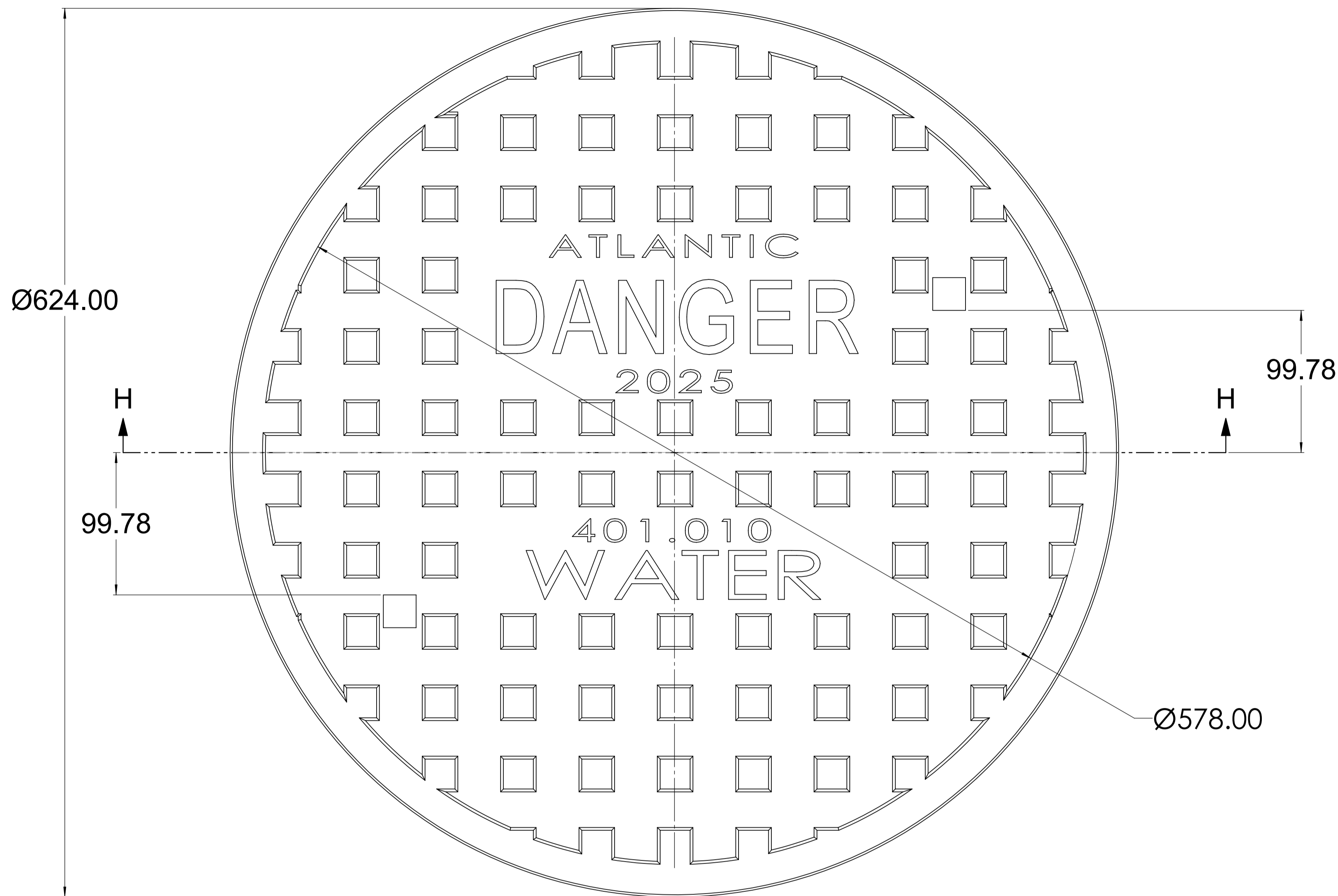
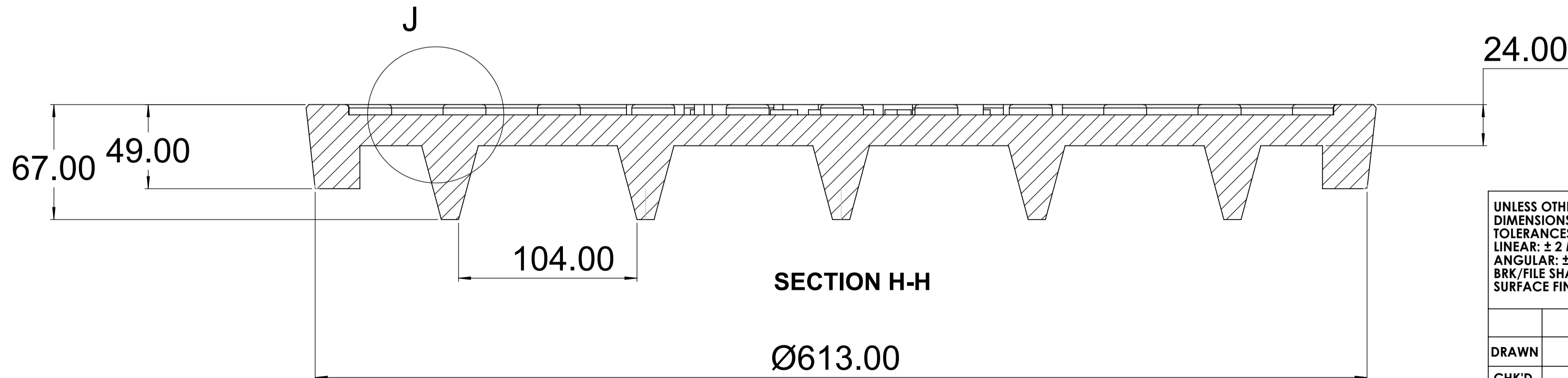


16 15 14 13 12 11 10 9 8 7 6 5 4 3 2 1

**NOTE : KINDLY FOLLOW 3D DATA FOR UNSPECIFIED DIMENSIONS.**



**DETAIL J  
SCALE 3 : 2**



UNLESS OTHERWISE SPECIFIED:  
DIMENSIONS ARE IN MILLIMETERS  
TOLERANCES:  
LINEAR: ± 2 MM  
ANGULAR: ± 1°  
BRK/FILE SHARP CORNER: 1 MM MAX  
SURFACE FINISH: 20 - 50

THIS DRAWING IS THE PRIVATE PROPERTY OF  
"ATLANTIC CORPORATION LIMITED"  
AND CAN NOT BE USED DIRECTLY OR INDIRECTLY  
WITHOUT THE WRITTEN PERMISSION OF THE COMPANY.  
ALL LEGAL RIGHTS RESERVED.

**ATLANTIC CORPORATION  
LIMITED**

	NAME	SIGNATURE	DATE	HEAT TREATMENT:
DRAWN	ATLANTIC		28-05-2025	
CHK'D				<b>MATERIAL:</b>
APPV'D				ASTM-A48 CLASS-30B (CAST IRON)
MFG				
Q.A				<b>PROJECT:</b>
				05
				<b>WEIGHT:</b>

<b>PART NAME:</b>	WATER CLOSED COVER	<b>REVISION:</b>
		A
<b>PART NUMBER:</b>	401.010	
<b>SHEET 1 OF 1</b>	<b>SCALE: 1:2</b>	

**REVISIONS**

REV.	DATE	DESCRIPTION	EARLIER WAS	CHANGED TO
A	28-05-2025	DRAWING RELEASED	INITIAL RELEASE	INITIAL RELEASE

16 15 14 13 12 11 10 9 8 7 6 5 4 3 2 1