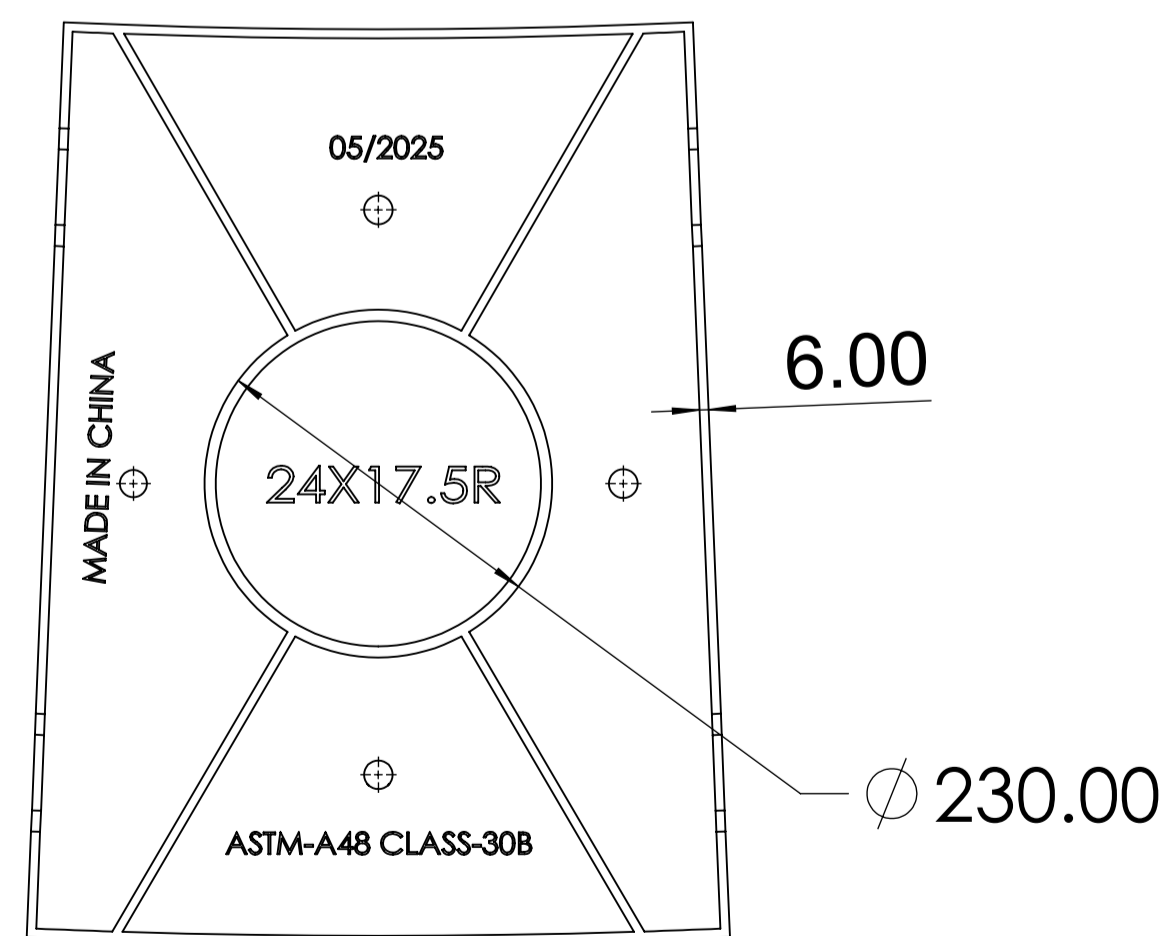
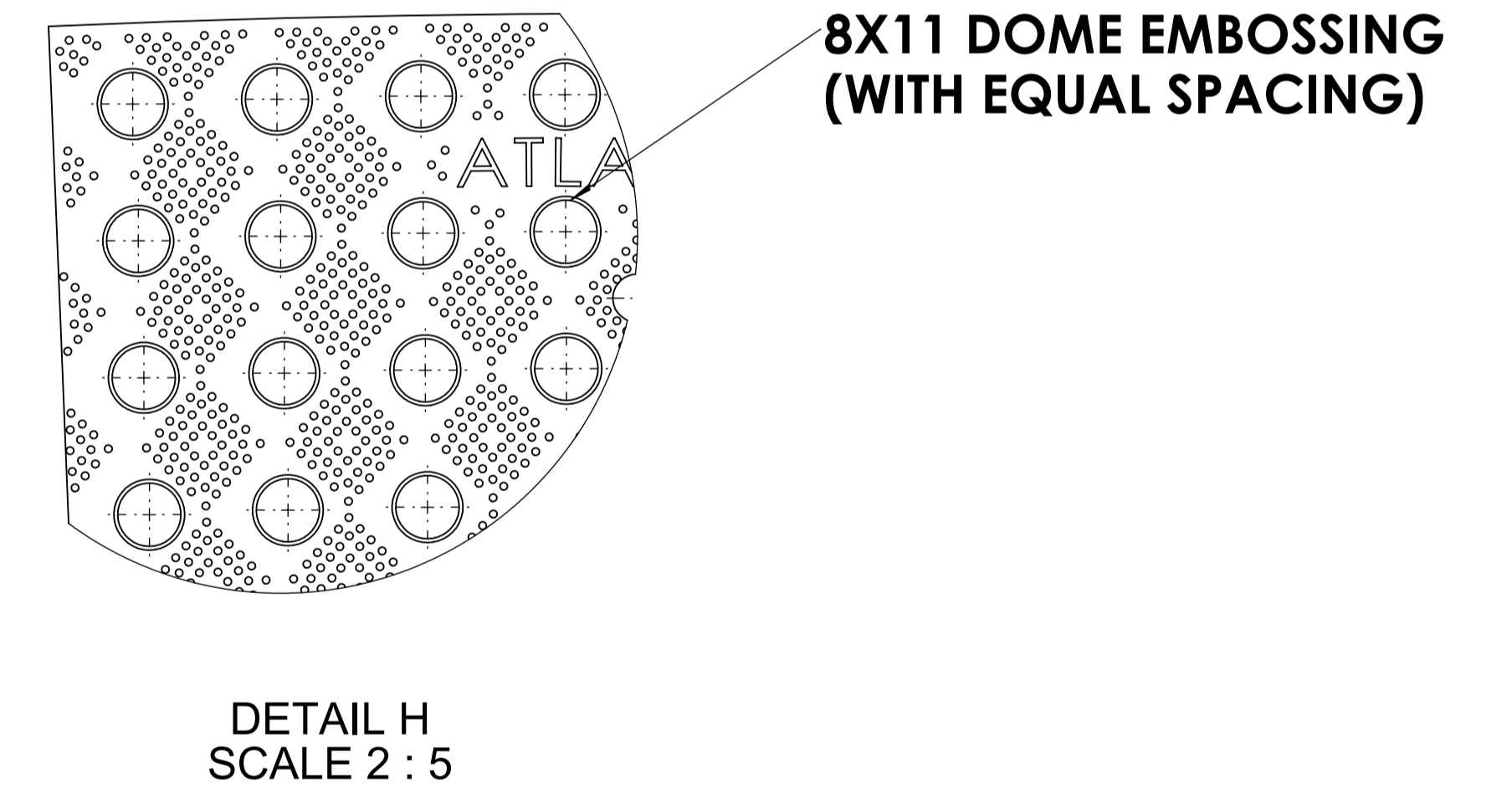
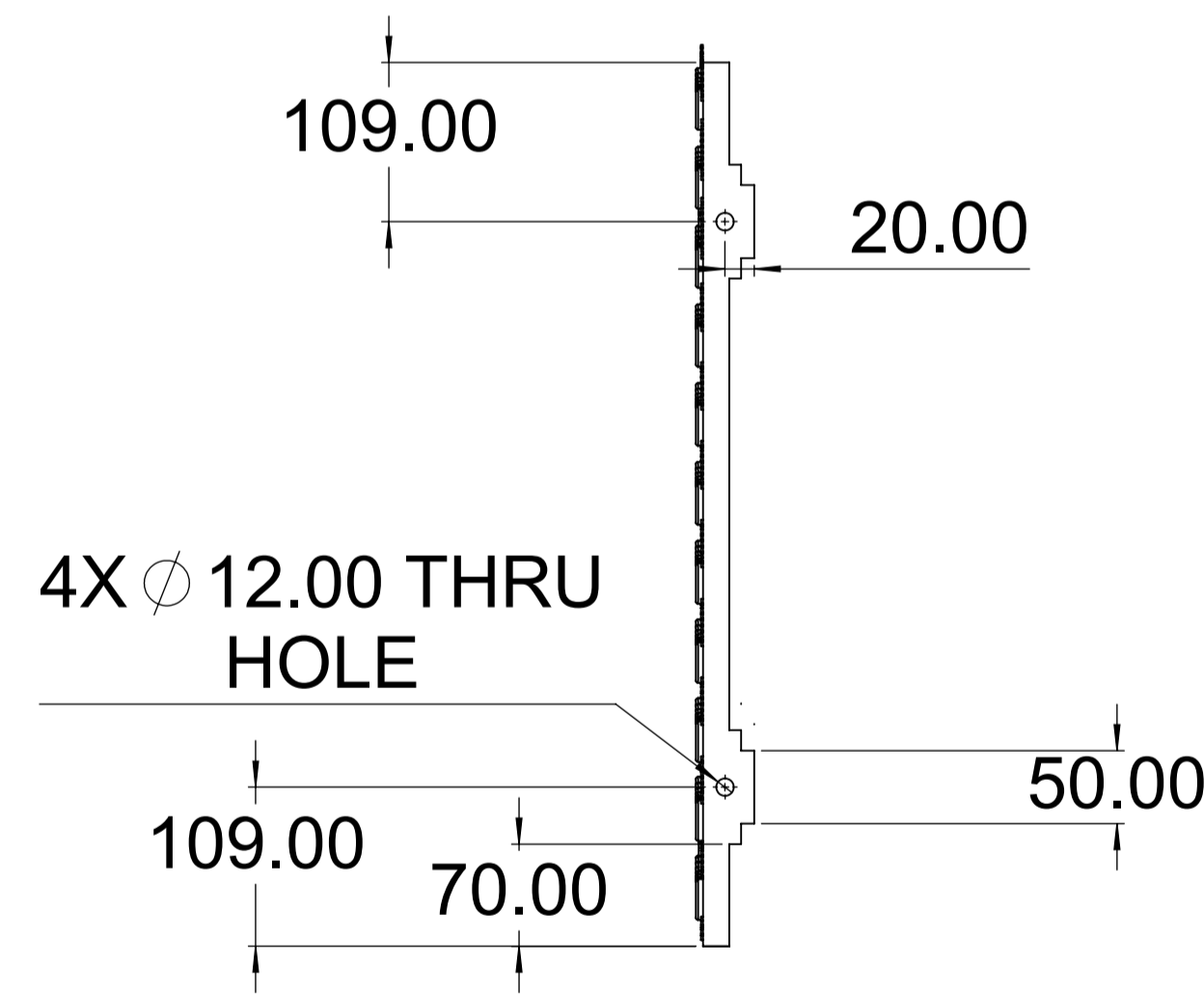
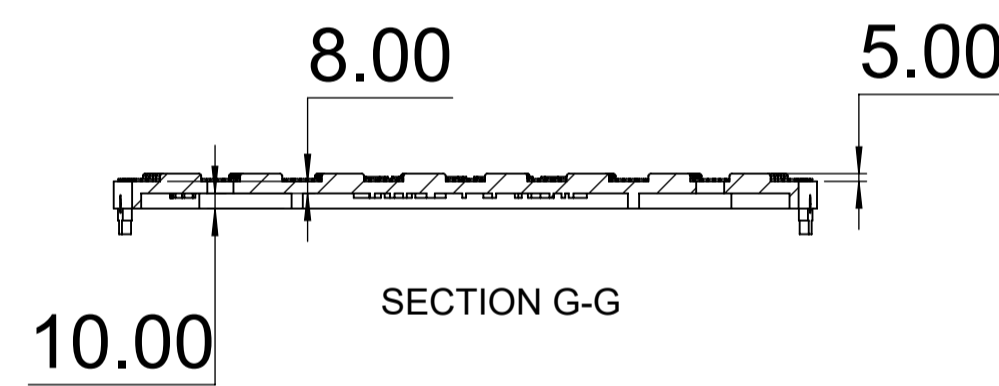
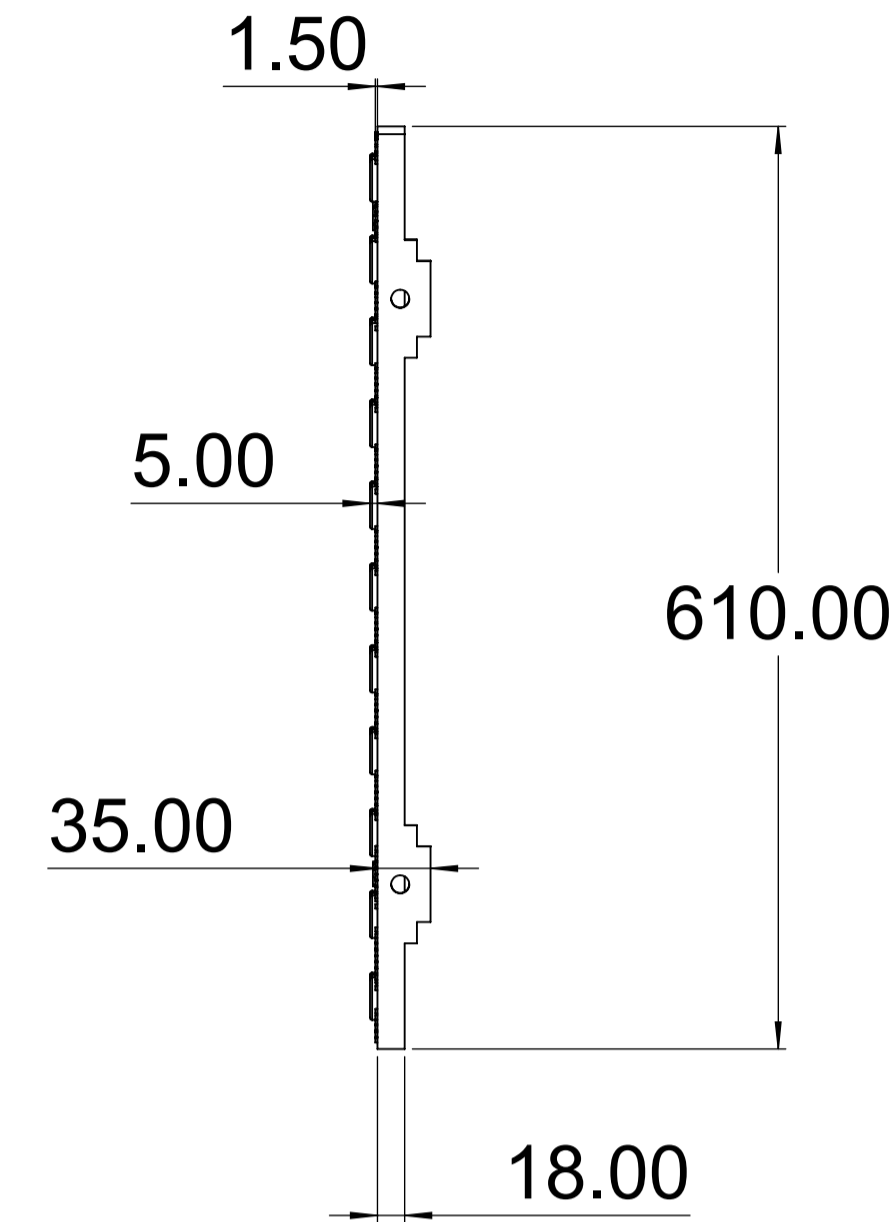
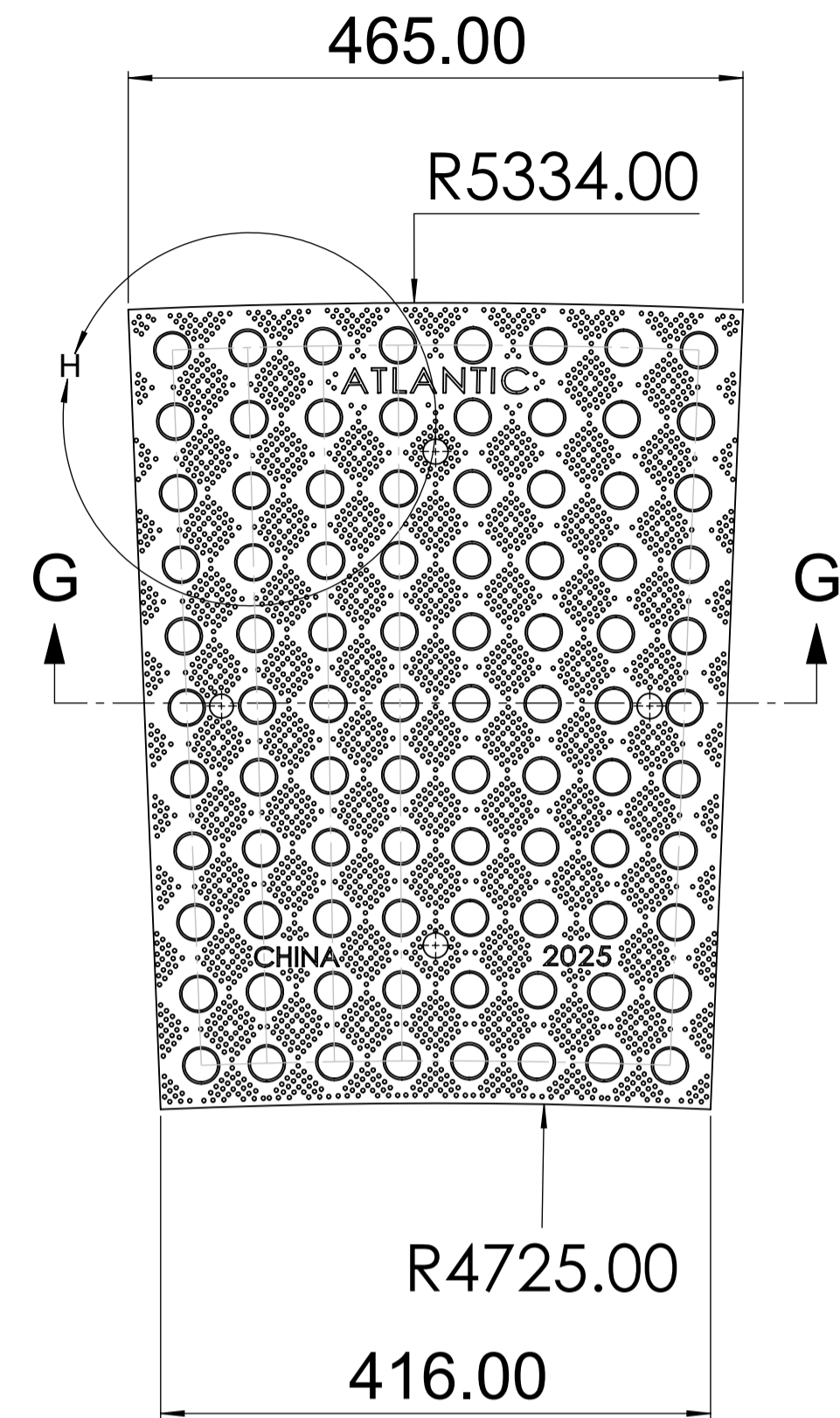


NOTE : 1) KINDLY FOLLOW 3D DATA FOR UNSPECIFIED DIMENSIONS.
 2) REMOVE ALL SHARP EDGES, NO BURR & DENTS ARE ALLOWED.



UNLESS OTHERWISE SPECIFIED:
 DIMENSIONS ARE IN MILLIMETERS
 TOLERANCES:
 LINEAR: ± 2 MM
 ANGULAR: ± 1°
 BRK/FILE SHARP CORNER: 1 MM MAX
 SURFACE FINISH: 20 - 50

THIS DRAWING IS THE PRIVATE PROPERTY OF
 "ATLANTIC CORPORATION LIMITED"
 AND CAN NOT BE USED DIRECTLY OR INDIRECTLY
 WITHOUT THE WRITTEN PERMISSION OF THE COMPANY.
 ALL LEGAL RIGHTS RESERVED.

**ATLANTIC CORPORATION
 LIMITED**

	NAME	SIGNATURE	DATE	HEAT TREATMENT:
DRAWN	ATLANTIC		18-06-2025	
CHK'D				MATERIAL:
APPV'D				ASTM-A8 CLASS-30B
MFG				
Q.A				PROJECT:
				06
	DO NOT SCALE DRAWING			WEIGHT:

PART NAME:		REVISION:
17.5' RADIUS DETECTABLE PLATE		A
PART NUMBER:		
03		
SHEET 1 OF 1	SCALE:1:5	SIZE: A1

REVISIONS

REV.	DATE	DESCRIPTION	EARLIER WAS	CHANGED TO
A	18-06-2025	DRAWING RELEASED	INITIAL RELEASE	INITIAL RELEASE