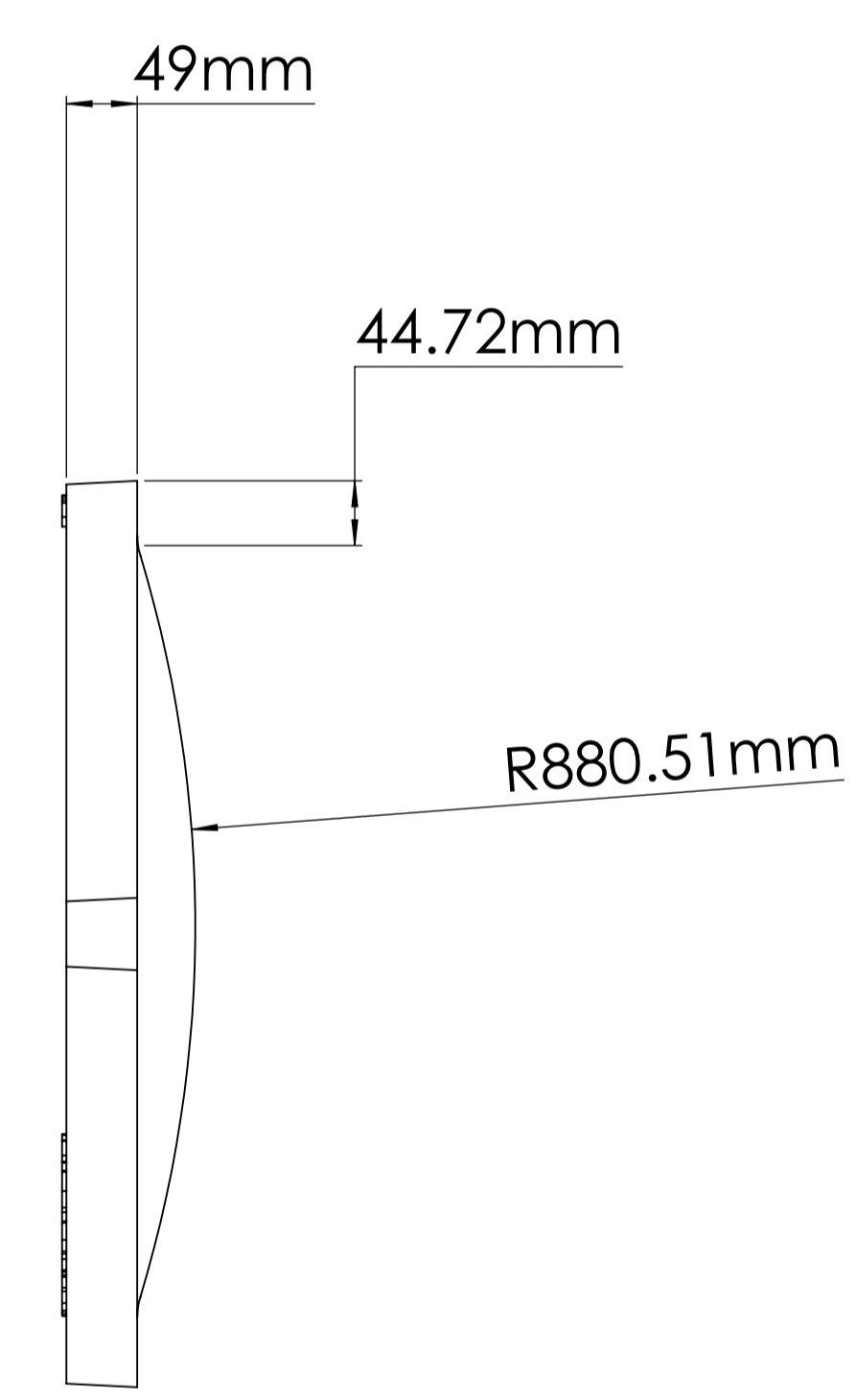
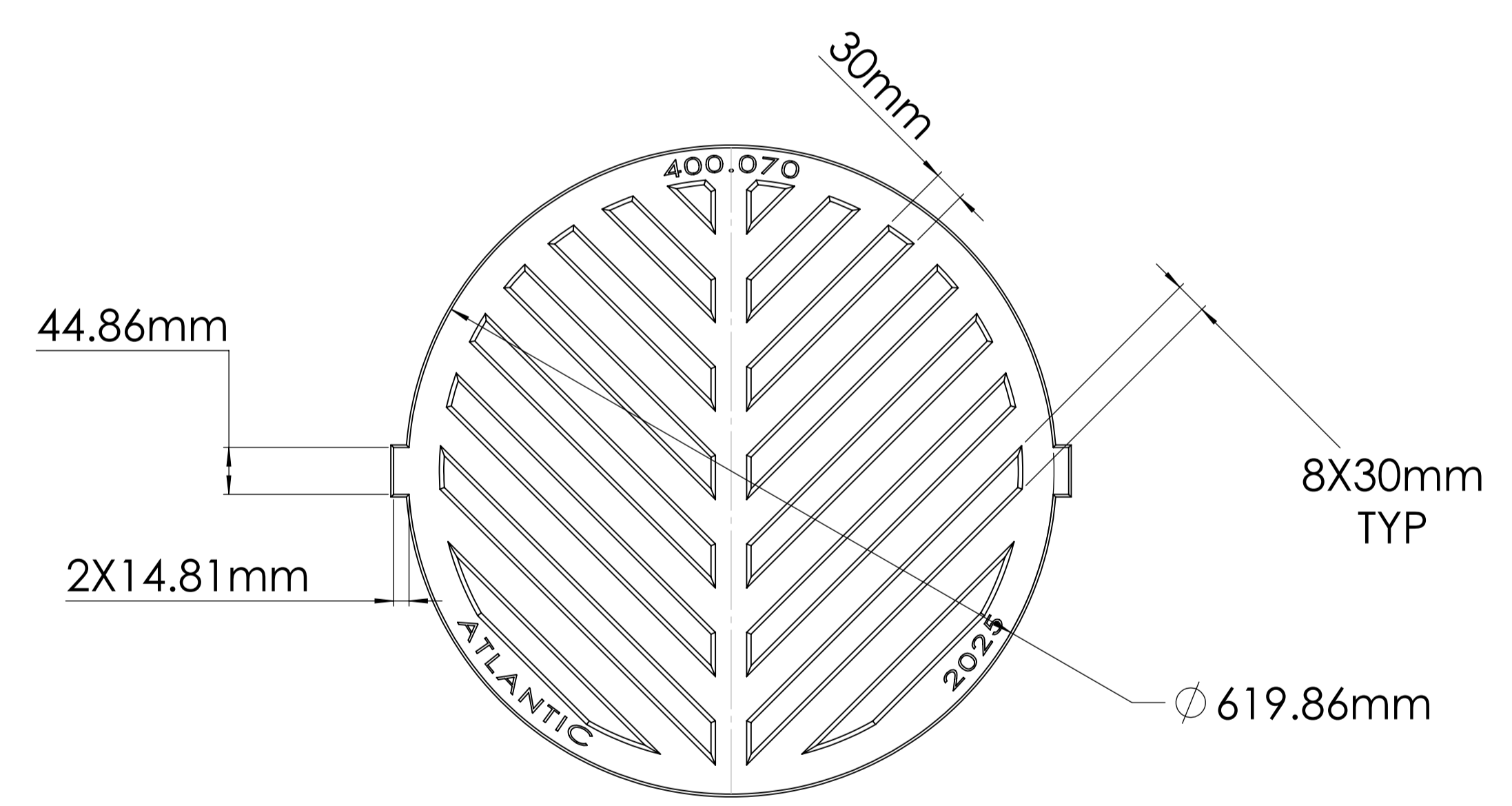
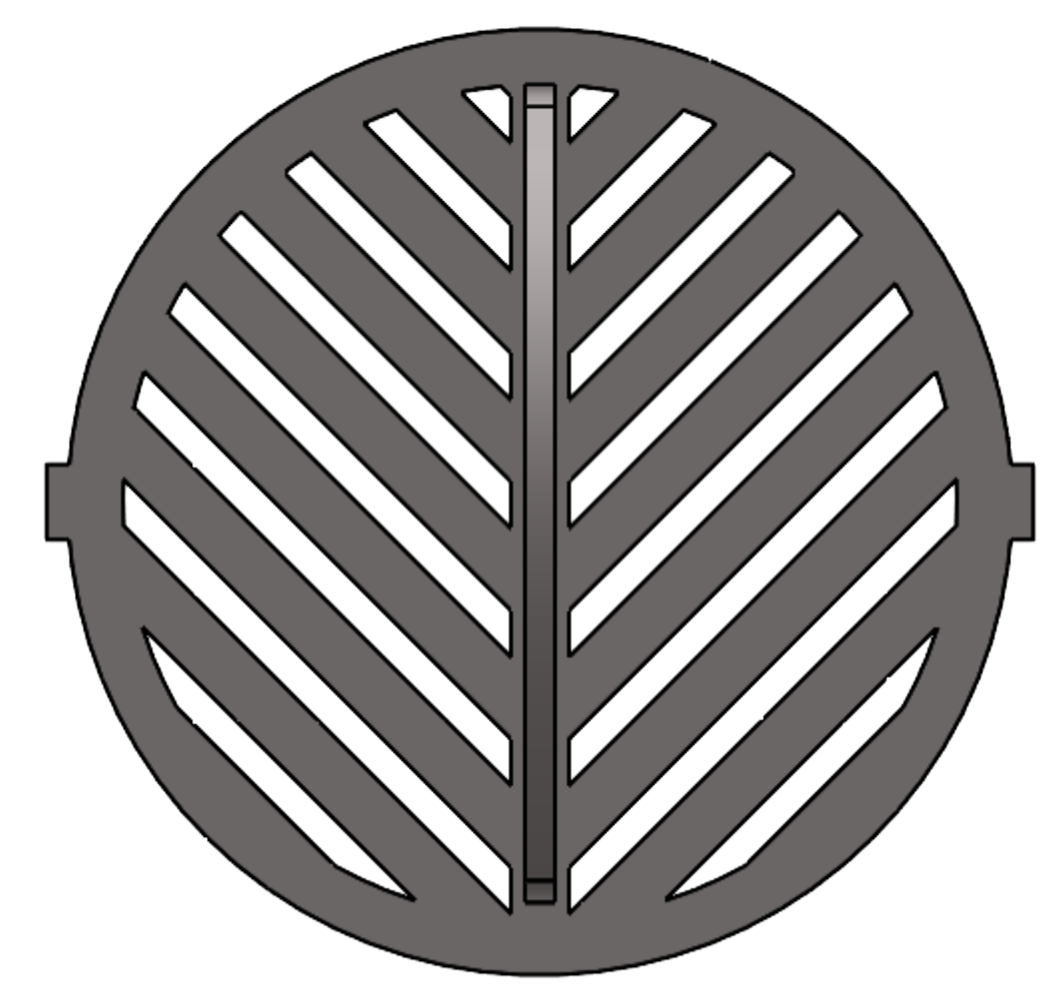
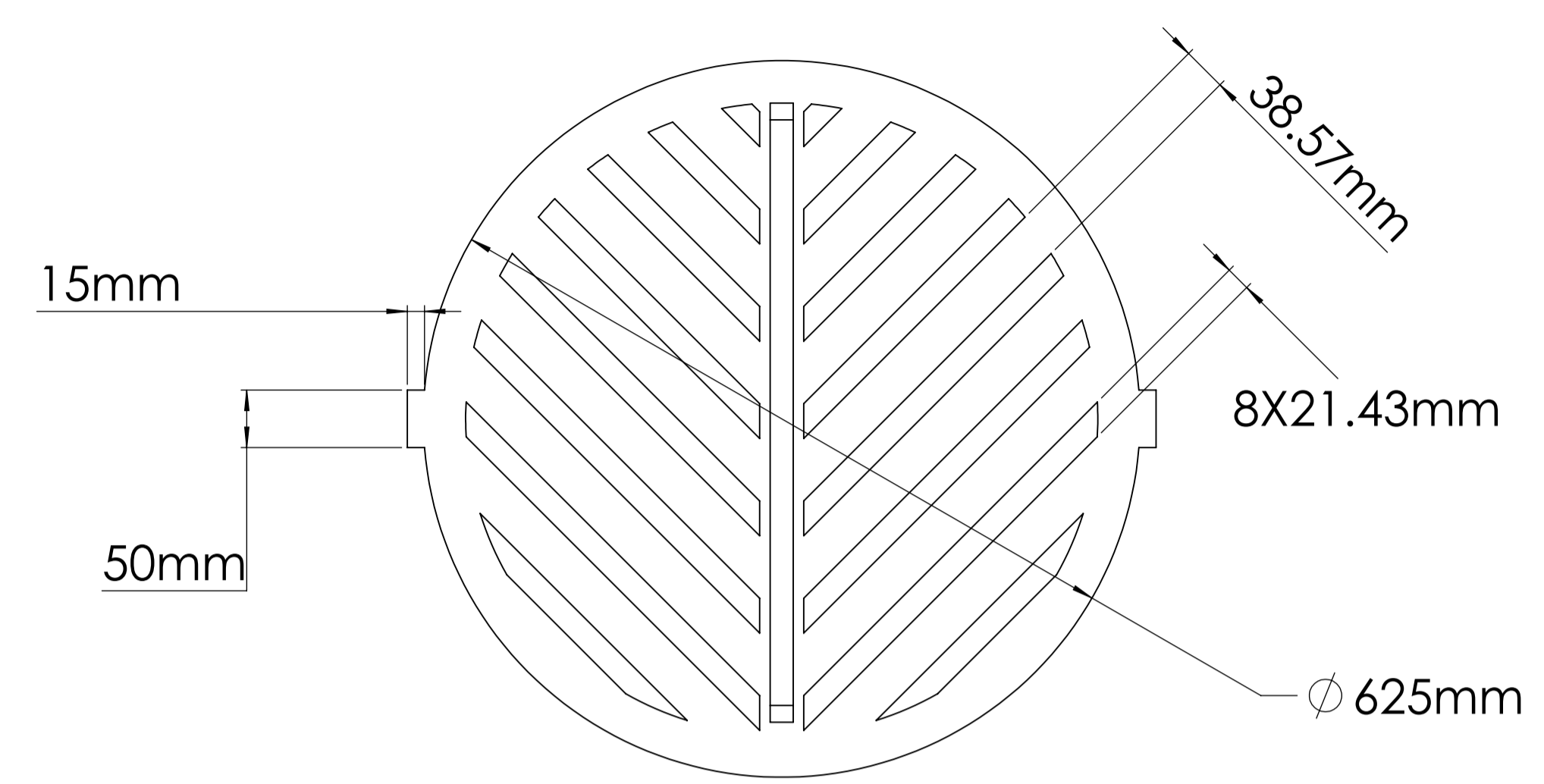


16 15 14 13 12 11 10 9 8 7 6 5 4 3 2 1

NOTE : KINDLY FOLLOW 3D DATA FOR UNSPECIFIED DIMENSIONS.



UNLESS OTHERWISE SPECIFIED: DIMENSIONS ARE IN MILLIMETERS TOLERANCES: LINEAR: ± 2 MM ANGULAR: ± 1° BRK/FILE SHARP CORNER: 1 MM MAX SURFACE FINISH: 20 - 50				THIS DRAWING IS THE PRIVATE PROPERTY OF "ATLANTIC" AND CAN NOT BE USED DIRECTLY OR INDIRECTLY WITHOUT THE WRITTEN PERMISSION OF THE COMPANY. ALL LEGAL RIGHTS RESERVED.		ATLANTIC	
NAME	SIGNATURE	DATE	HEAT TREATMENT:	PART NAME: CIRCULAR TOP	REVISION: A		
DRAWN	ATLANTIC	16-09-2025	MATERIAL: ASTM-A48 CLASS-30B CAST IRON				
CHK'D			PROJECT: 03	PART NUMBER: 400.070	SIZE: A1		
APPV'D							
MFG	-		WEIGHT: 75 KG	SHEET 1 OF 1	SCALE: 1:5		
Q.A			DO NOT SCALE DRAWING				

REVISIONS

REV.	DATE	DESCRIPTION	EARLIER WAS	CHANGED TO
A	17-09-2025	DRAWING RELEASED	INITIAL RELEASE	INITIAL RELEASE

16 15 14 13 12 11 10 9 8 7 6 5 4 3 2 1