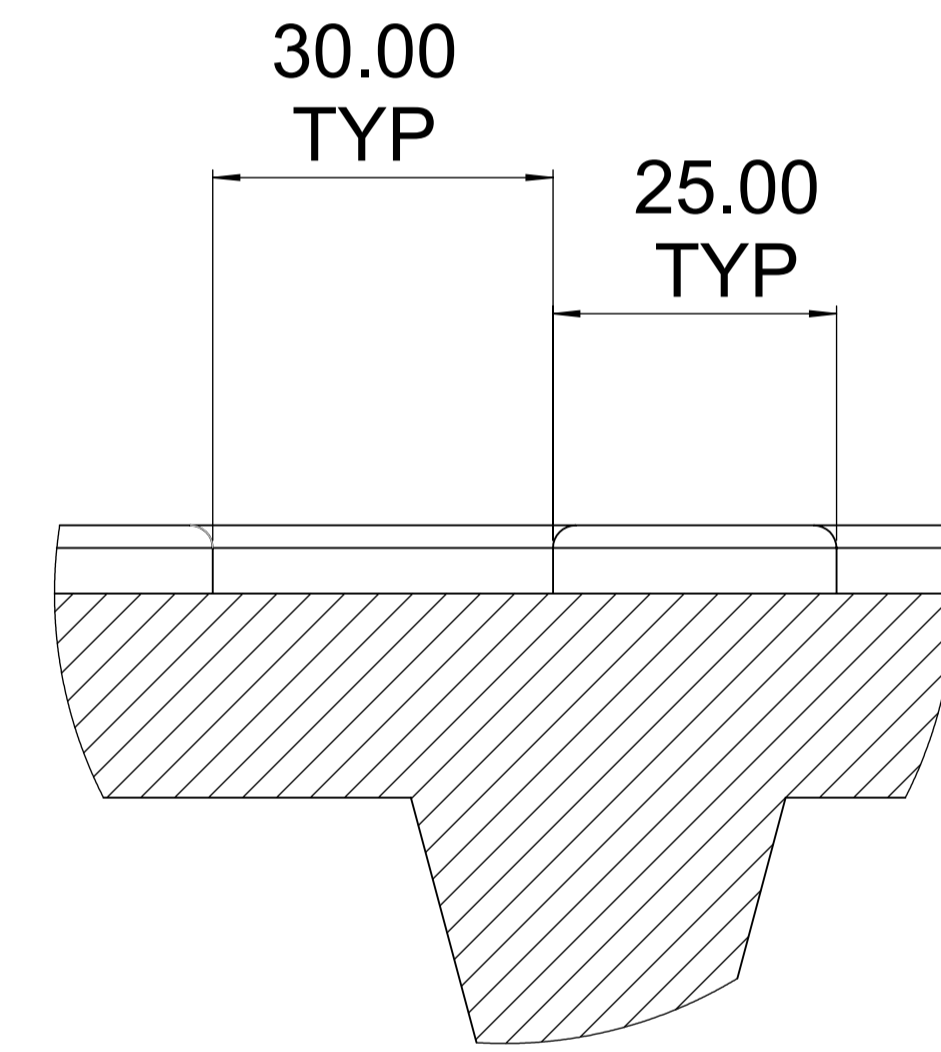
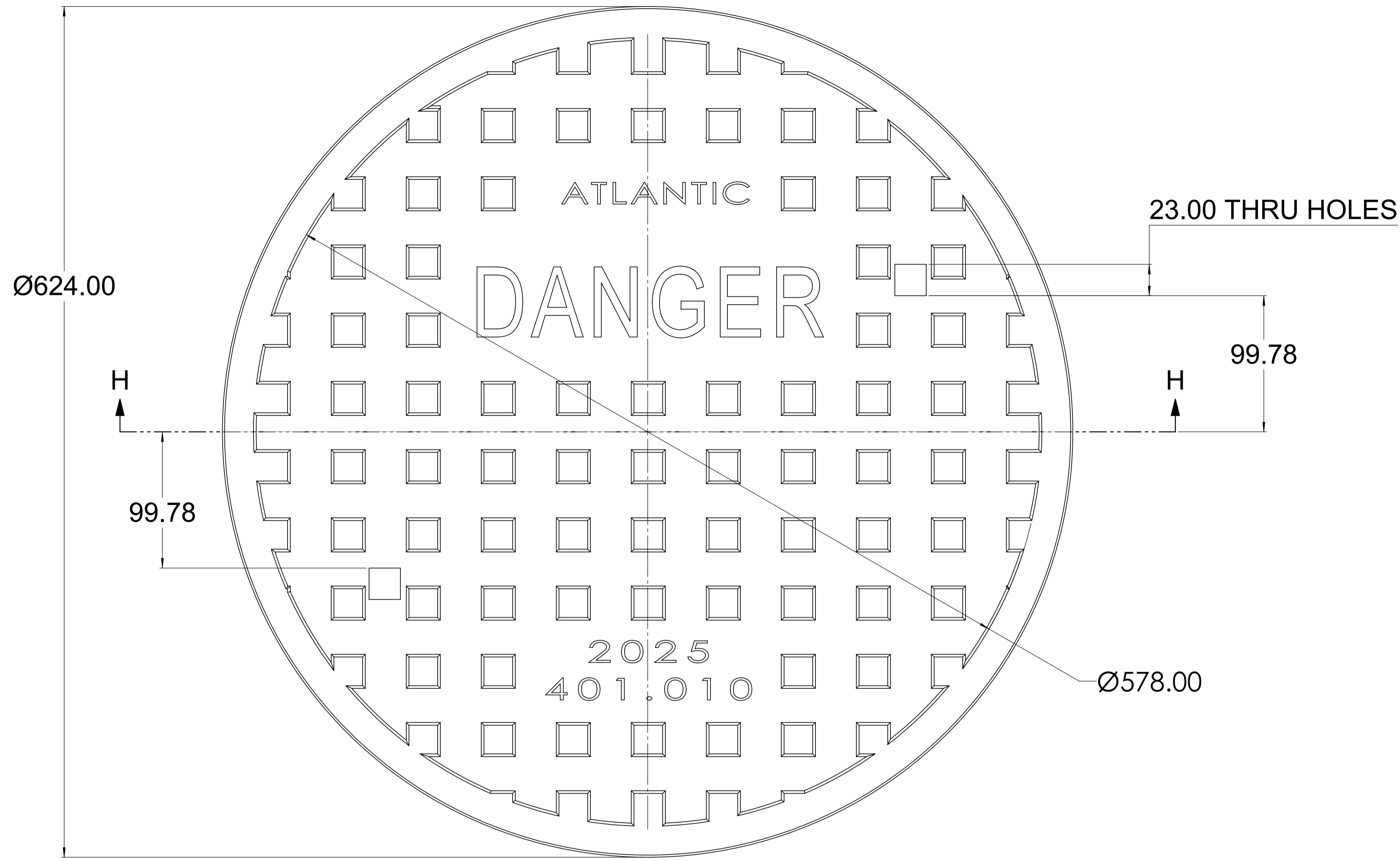
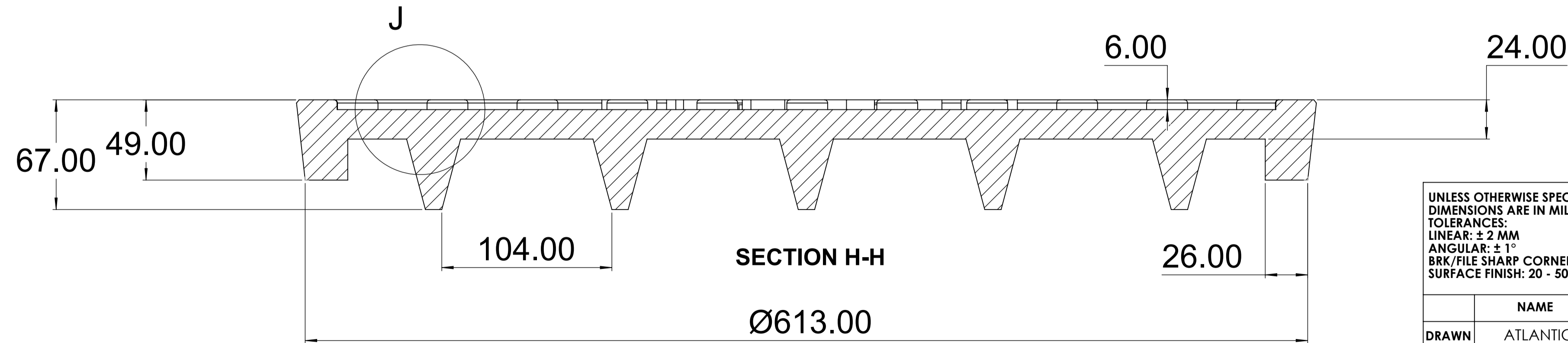


NOTE : KINDLY FOLLOW 3D DATA FOR UNSPECIFIED DIMENSIONS.



**DETAIL J
SCALE 3 : 2**



UNLESS OTHERWISE SPECIFIED:
DIMENSIONS ARE IN MILLIMETERS
TOLERANCES:
LINEAR: ± 2 MM
ANGULAR: ± 1°
BRK/FILE SHARP CORNER: 1 MM MAX
SURFACE FINISH: 20 - 50

THIS DRAWING IS THE PRIVATE PROPERTY OF
"ATLANTIC CORPORATION LIMITED"
AND CAN NOT BE USED DIRECTLY OR INDIRECTLY
WITHOUT THE WRITTEN PERMISSION OF THE COMPANY.
ALL LEGAL RIGHTS RESERVED.

**ATLANTIC CORPORATION
LIMITED**

	NAME	SIGNATURE	DATE	HEAT TREATMENT:
DRAWN	ATLANTIC		20-05-2025	
CHK'D				MATERIAL:
APPV'D				ASTM-A48 CLASS-30B (CAST IRON)
MFG				
Q.A				PROJECT:
				05
				WEIGHT:

PART NAME:		REVISION:
CLOSED COVER TYPE-A		A
PART NUMBER:		
401.010		
SHEET 1 OF 1		SCALE: 1:2
SIZE: A1		

REVISIONS

REV.	DATE	DESCRIPTION	EARLIER WAS	CHANGED TO
A	20-05-2025	DRAWING RELEASED	INITIAL RELEASE	INITIAL RELEASE